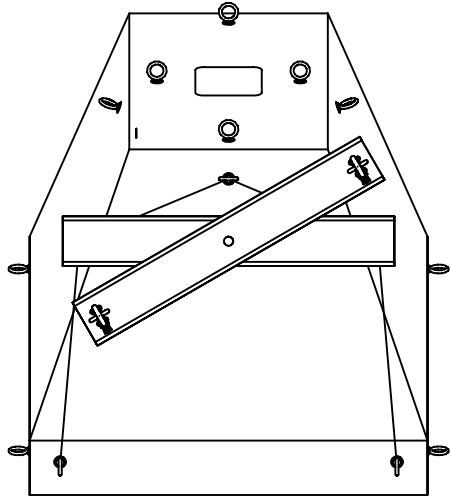
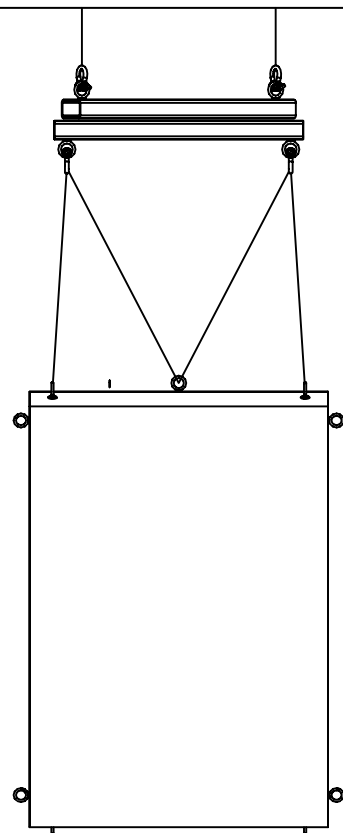


TOP VIEW
SCALE: 1" = 1'



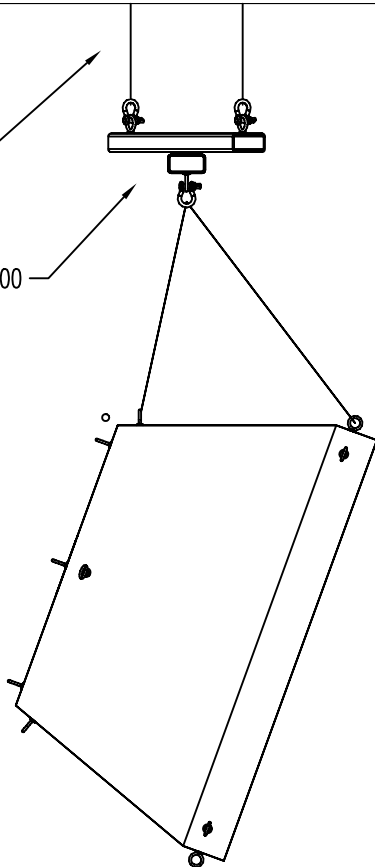
FRONT ELEVATION
SCALE: 3/4" = 1'



SIDE ELEVATION
SCALE: 3/4" = 1'

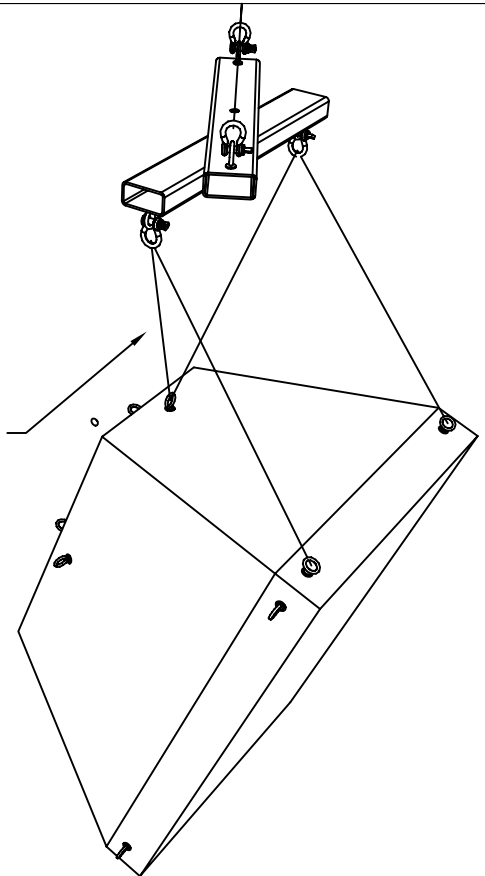
FIXED LENGTH
DOWN CABLES

ZB-20-300



PERSPECTIVE VIEW
SCALE: n/a

ADJUSTABLE TILT CABLE KIT



This configuration drawing is for discussion only. For this configuration to be safely used in the field:
 1. All parts and components must be correct and able to safely support the load applied
 2. All parts must be used with the correct technique(s).
 3. Any roof structure element(s) carrying or transferring the load(s) must be able to safely do so as determined by a qualified person (i.e. structural engineer, building inspector, etc.)

Polar Focus, Inc.
 P.O. Box 3, 217 Russell St.
 Hadley MA 01035
 413-586-4444
 509-357-5657 fax
 www.polarfocus.com

Single Upright AX,
 Configuration 1A

Four Views

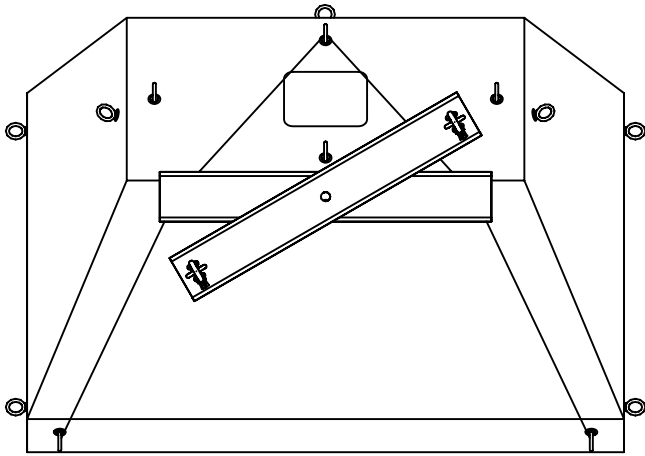
COPYRIGHT © 2006 Polar Focus, Inc.
 POLAR FOCUS® is a Registered Trademark of Polar Focus, Inc.

DRAWN BY:
 Matt Shutta Jan-27-2006

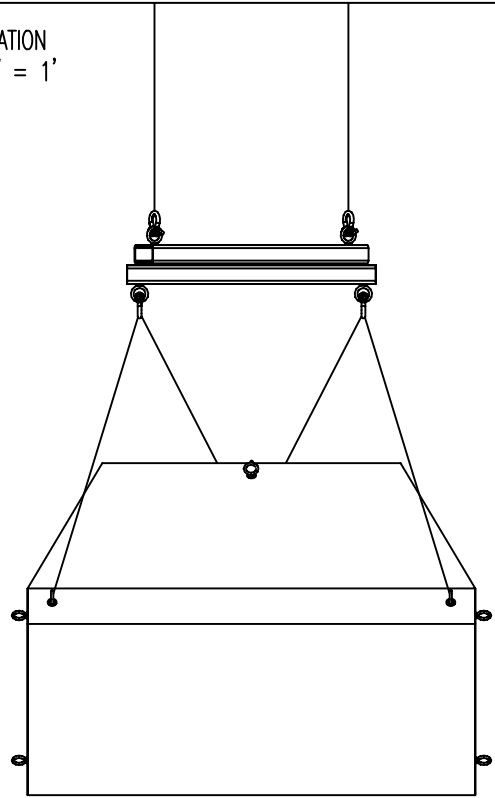
SIZE A	DWG. NO. AX-1A S-001	FILE: AX-1A-1.dwg	REV
-----------	-------------------------	----------------------	-----

SCALE per panel	SHEET 1 of 10
-----------------	---------------

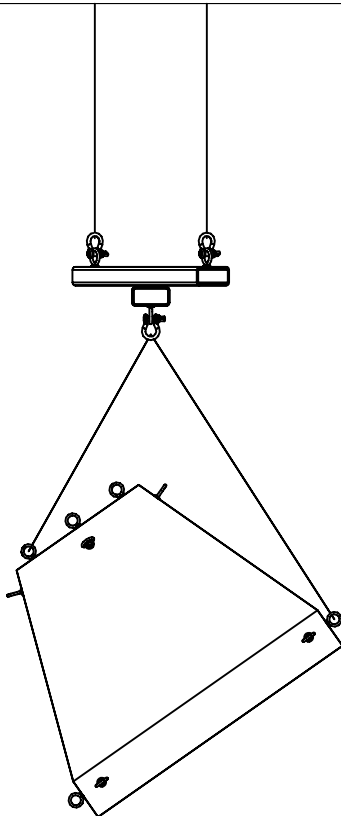
TOP VIEW
SCALE: 1" = 1'



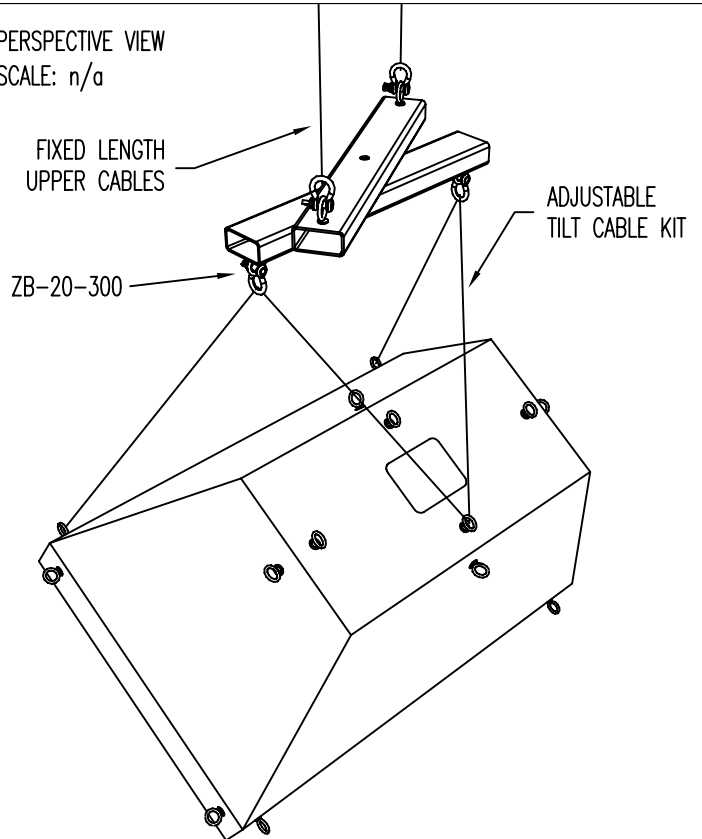
FRONT ELEVATION
SCALE: 3/4" = 1'



SIDE ELEVATION
SCALE: 3/4" = 1'



PERSPECTIVE VIEW
SCALE: n/a



This configuration drawing is for discussion only. For this configuration to be safely used in the field:

1. All parts and components must be correct and able to safely support the load applied
2. All parts must be used with the correct technique(s).
3. Any roof structure element(s) carrying or transferring the load(s) must be able to safely do so as determined by a qualified person (i.e. structural engineer, building inspector, etc.)

Polar Focus, Inc.
P.O. Box 3, 217 Russell St.
Hadley MA 01035
413-586-4444
509-357-5657 fax
www.polarfocus.com

Single Transverse AX,
Configuration 1B

Four Views

DRAWN BY:
Matt Shutta Jan-27-2006

SIZE A DWG. NO. AX-1BS-001

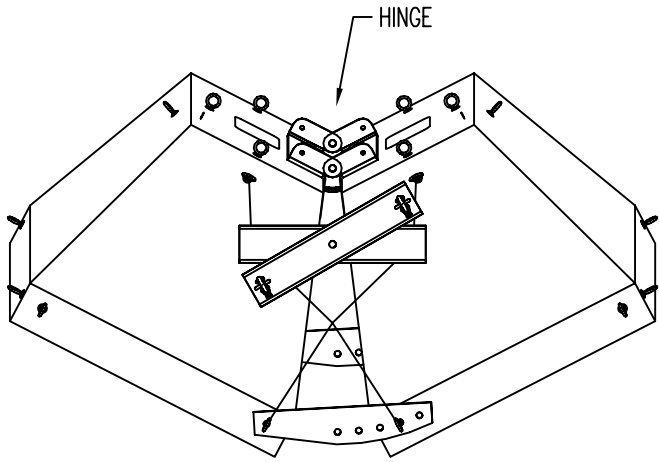
FILE:
AX-1B-1.dwg

REV

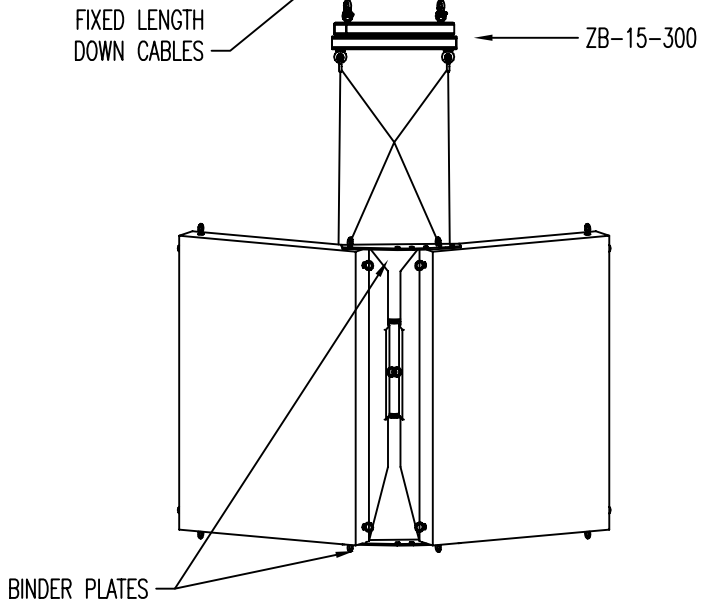
SCALE per panel

SHEET 2 of 10

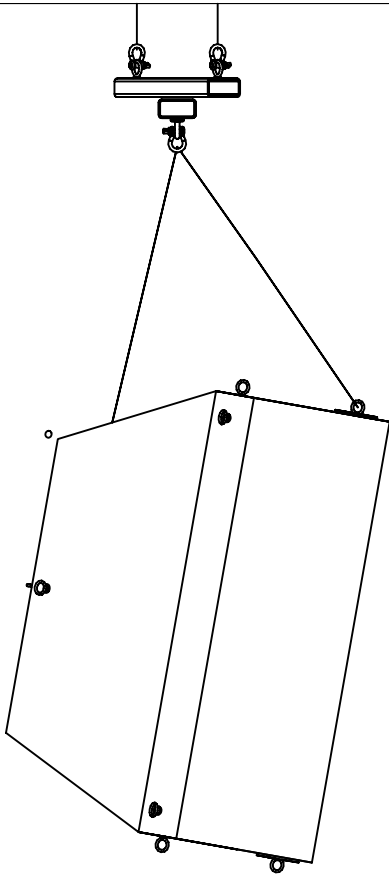
TOP VIEW
SCALE: 3/4" = 1'



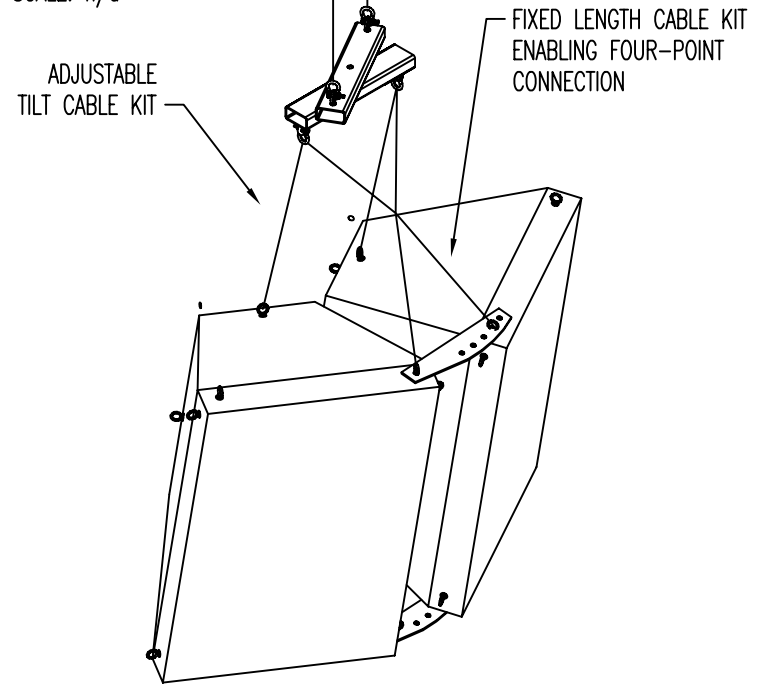
FRONT ELEVATION
SCALE: 1/2" = 1'



SIDE ELEVATION
SCALE: 3/4" = 1'



PERSPECTIVE VIEW
SCALE: n/a



This configuration drawing is for discussion only. For this configuration to be safely used in the field:
 1. All parts and components must be correct and able to safely support the load applied
 2. All parts must be used with the correct technique(s).
 3. Any roof structure element(s) carrying or transferring the load(s) must be able to safely do so as determined by a qualified person (i.e. structural engineer, building inspector, etc.)

Polar Focus, Inc.
 P.O. Box 3, 217 Russell St.
 Hadley MA 01035
 413-586-4444
 509-357-5657 fax
 www.polarfocus.com

2 Wide, Upright AX,
 Configuration 2A

Four Views

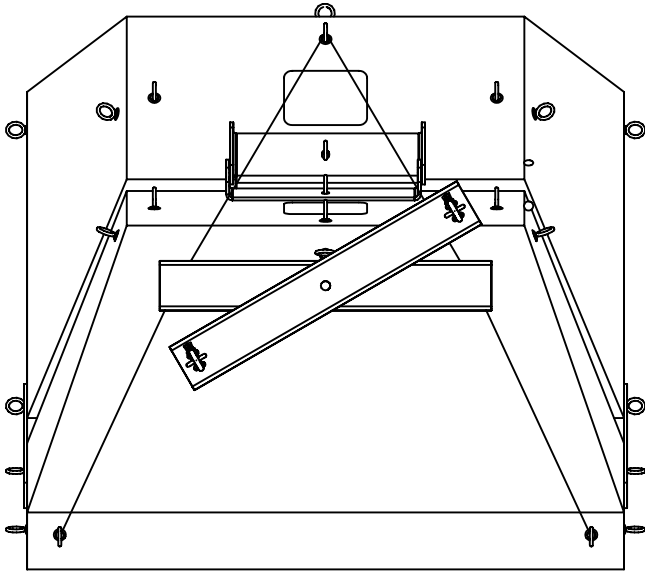
COPYRIGHT © 2006 Polar Focus, Inc.
 POLAR FOCUS® is a Registered Trademark of Polar Focus, Inc.

DRAWN BY:
 Matt Shutta Jan-26-2006

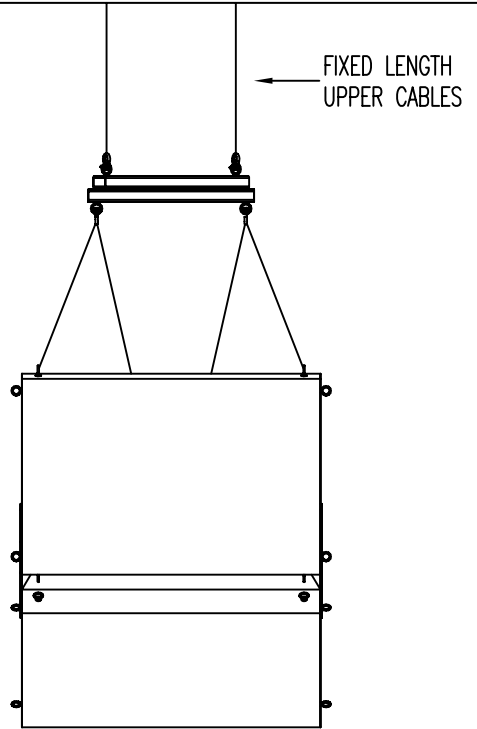
SIZE A	DWG. NO. AX-2A S-001	FILE: AX-2A-1.dwg	REV
-----------	-------------------------	----------------------	-----

SCALE per panel SHEET 3 of 10

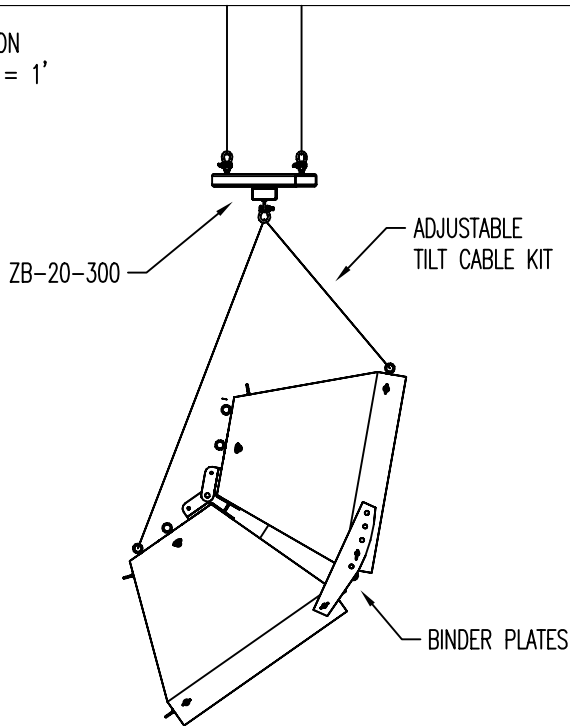
TOP VIEW
SCALE: 1" = 1'



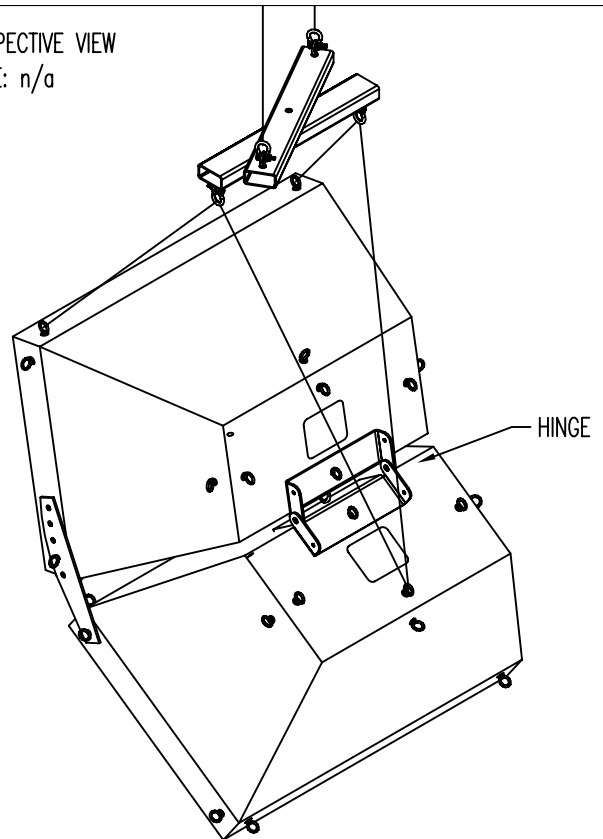
FRONT ELEVATION
SCALE: 1/2" = 1'



SIDE ELEVATION
SCALE: 1/2" = 1'



PERSPECTIVE VIEW
SCALE: n/a



This configuration drawing is for discussion only. For this configuration to be safely used in the field:

1. All parts and components must be correct and able to safely support the load applied
2. All parts must be used with the correct technique(s).
3. Any roof structure element(s) carrying or transferring the load(s) must be able to safely do so as determined by a qualified person (i.e. structural engineer, building inspector, etc.)

Polar Focus, Inc.
P.O. Box 3, 217 Russell St.
Hadley MA 01035
413-586-4444
509-357-5657 fax
www.polarfocus.com

2 High Transverse AX,
Configuration 2B

Four Views

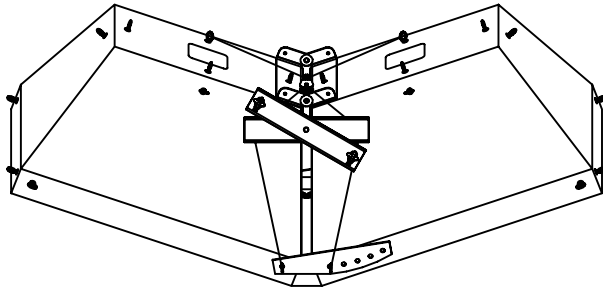
COPYRIGHT © 2006 Polar Focus, Inc.
POLAR FOCUS® is a Registered Trademark of Polar Focus, Inc.

DRAWN BY:
Matt Shutta Jan-27-2006

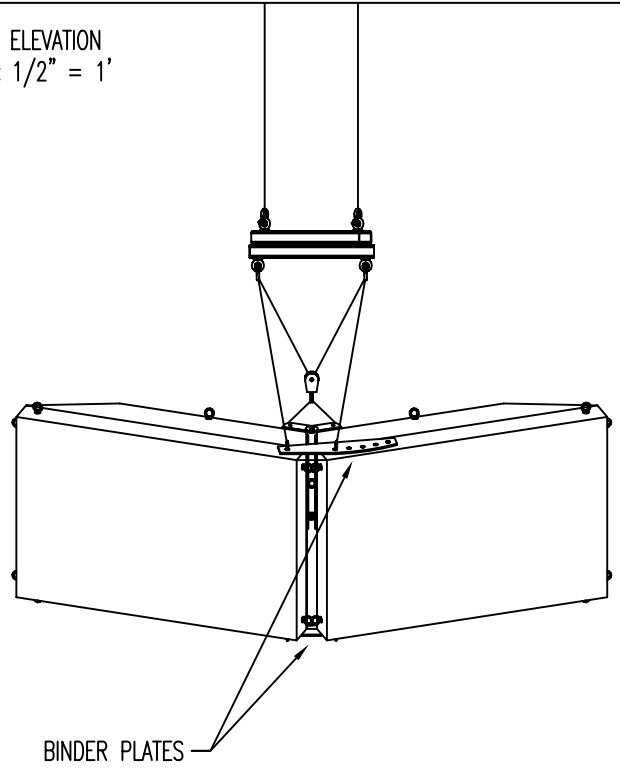
SIZE A	DWG. NO. AX-2B S-001	FILE: AX-2B-1.dwg	REV
-----------	-------------------------	----------------------	-----

SCALE per panel SHEET 4 of 10

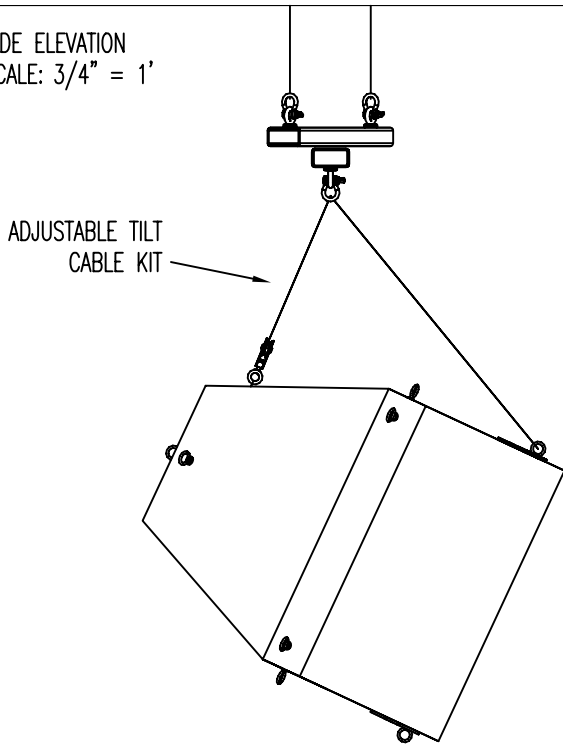
TOP VIEW
SCALE: 1/2" = 1'



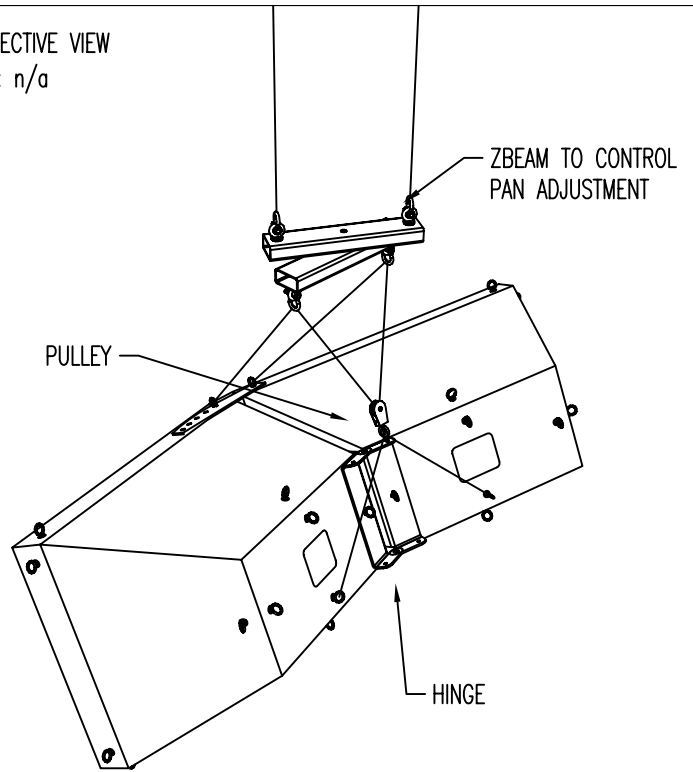
FRONT ELEVATION
SCALE: 1/2" = 1'



SIDE ELEVATION
SCALE: 3/4" = 1'



PERSPECTIVE VIEW
SCALE: n/a



This configuration drawing is for discussion only. For this configuration to be safely used in the field:
 1. All parts and components must be correct and able to safely support the load applied
 2. All parts must be used with the correct technique(s).
 3. Any roof structure element(s) carrying or transferring the load(s) must be able to safely do so as determined by a qualified person (i.e. structural engineer, building inspector, etc.)

Polar Focus, Inc.
 P.O. Box 3, 217 Russell St.
 Hadley MA 01035
 413-586-4444
 509-357-5657 fax
 www.polarfocus.com

2 Wide Transverse AX
 Configuration 2C

Four Views

DRAWN BY:
 Matt Shutta Feb-22-2006

SIZE DWG. NO.
 A AX-2C S-001

FILE:
 AX-2C-1.dwg

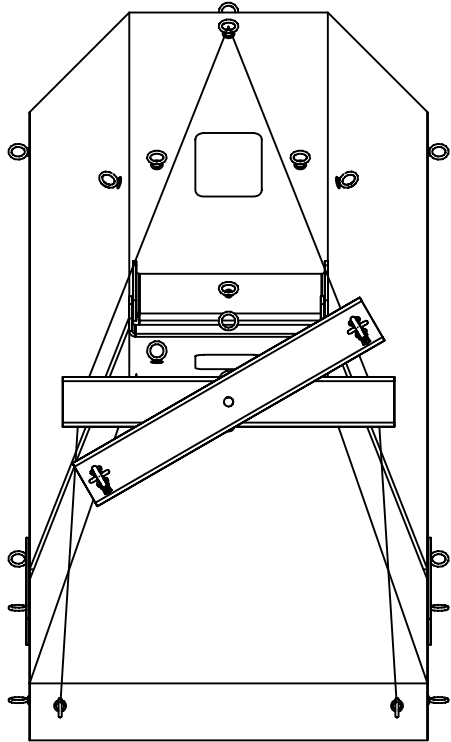
REV

SCALE per panel

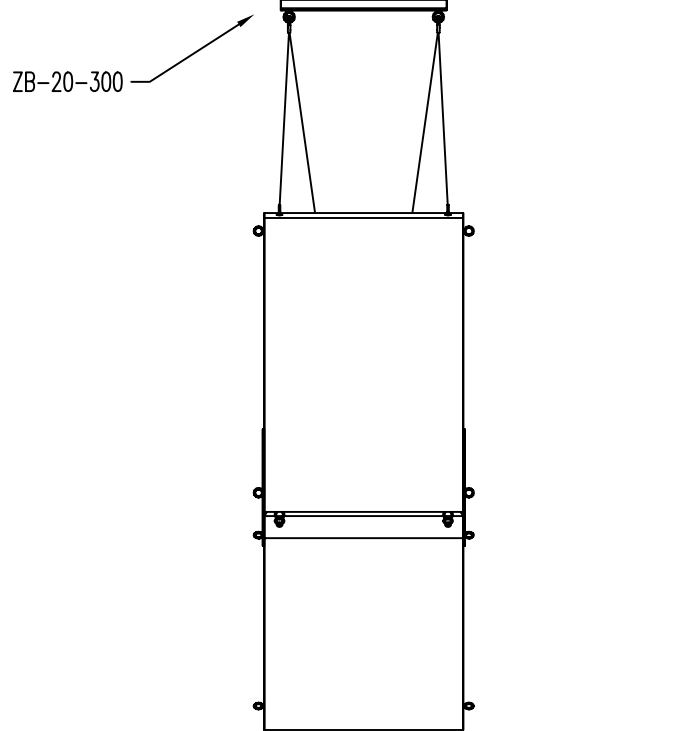
SHEET 5 of 10

COPYRIGHT © 2006 Polar Focus, Inc.
 POLAR FOCUS® is a Registered Trademark of Polar Focus, Inc.

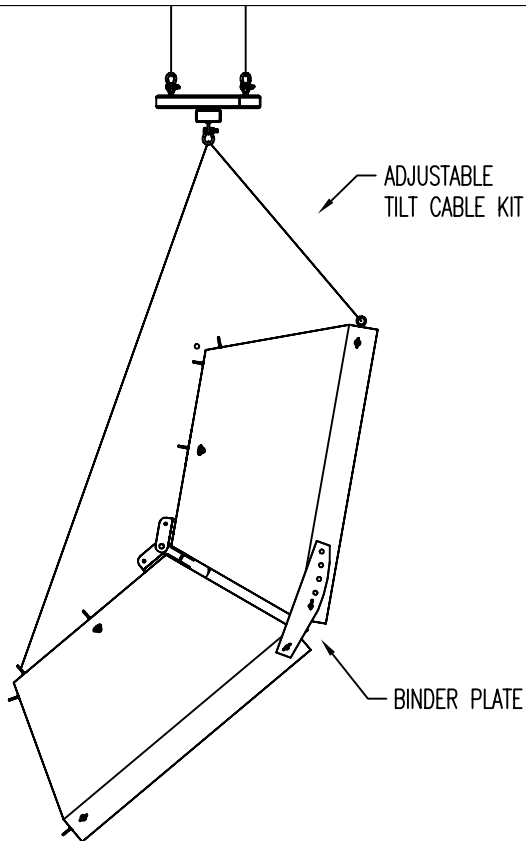
TOP VIEW
SCALE: 1" = 1'



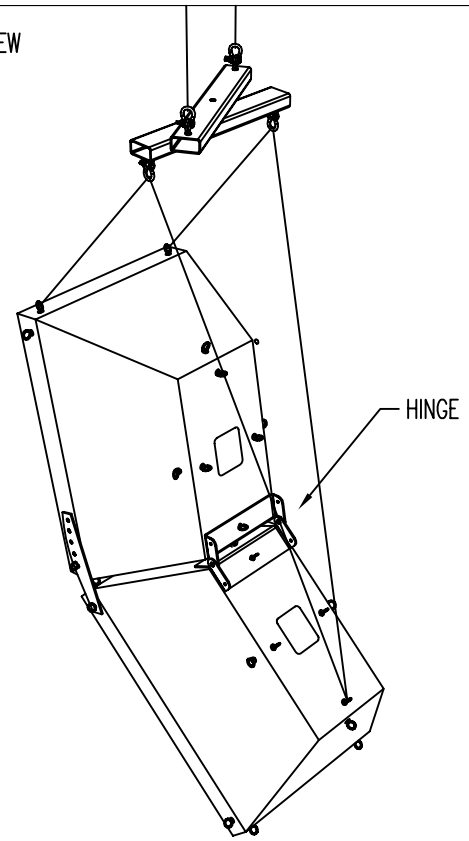
FRONT ELEVATION
SCALE: 1/2" = 1'



SIDE ELEVATION
SCALE: 1/2" = 1'



PERSPECTIVE VIEW
SCALE: n/a



This configuration drawing is for discussion only. For this configuration to be safely used in the field:
 1. All parts and components must be correct and able to safely support the load applied
 2. All parts must be used with the correct technique(s).
 3. Any roof structure element(s) carrying or transferring the load(s) must be able to safely do so as determined by a qualified person (i.e. structural engineer, building inspector, etc.)

Polar Focus, Inc.
 P.O. Box 3, 217 Russell St.
 Hadley MA 01035
 413-586-4444
 509-357-5657 fax
 www.polarfocus.com

2 High Upright AX,
 Configuration 2D

Four Views

DRAWN BY:
 Matt Shutta Jan-30-2006

SIZE A	DWG. NO. AX-2D S-001	FILE: AX-2D-1.dwg	REV
-----------	-------------------------	----------------------	-----

COPYRIGHT © 2006 Polar Focus, Inc.
 POLAR FOCUS® is a Registered Trademark of Polar Focus, Inc.

SCALE per panel SHEET 6 of 10

