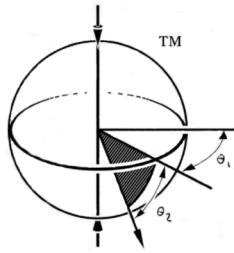


Polar[®] Focus



Ultimate Line Array Rigging

ORH-VARIA-Raven

Array Frame for
Renkus-Heinz Varia Line Array

Designed for increased functionality and lower installation cost, the ORH-VARIA-Raven is an aftermarket line array frame for the Renkus-Heinz Varia loudspeaker family.

The ORH-VARIA-Raven fastens to the loudspeakers using the integrated side plate rigging hardware included with the Varia speaker. The Raven frame's mounting hardware allows for super easy and lightning fast mating to the loudspeaker.

The ORH-VARIA-Raven features infinitely adjustable tilt control while under load without requiring re-rigging the cluster or using chain hoists. When attached to supporting XY Grid family hardware, pan angle of the ORH-VARIA-Raven can be adjusted in seconds without re-rigging anything.

This frame allows the precision aiming functionality that designers and installation technicians require. It also provides rapid installation to reduce labor costs.

For use with up to 8 full range or a combination of Varia subwoofers and full range loudspeakers not to exceed 575 lbs.

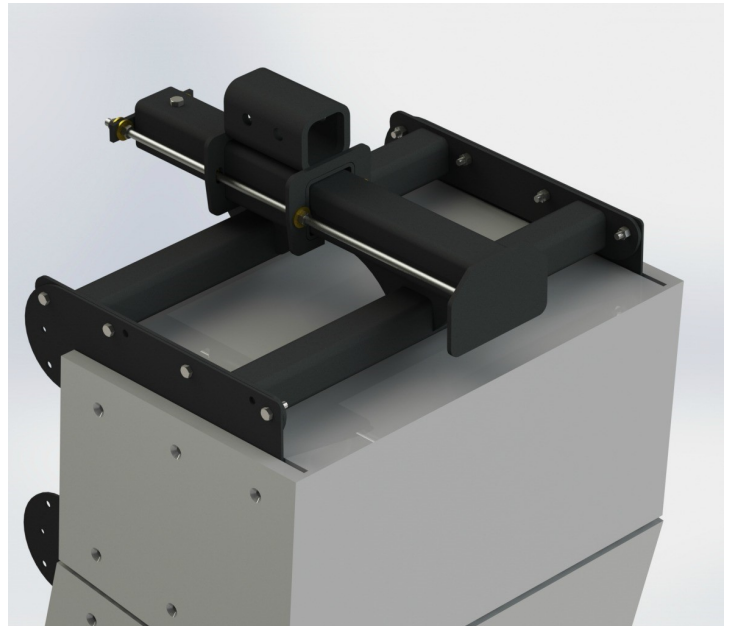


Figure 1. ORH-VARIA-Raven—The Raven frame attaches to the Varia speakers with the standard plates that ship with the loudspeaker enclosures.

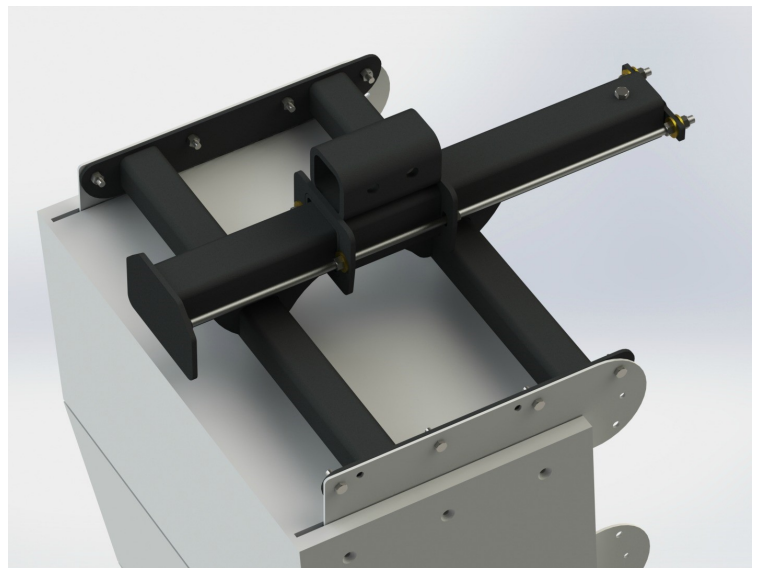
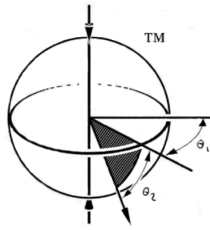


Figure 2. ORH-VARIA-Raven— A wide range of Polar Focus standard roof attachment and accessories will quick pin to the top of the Raven frame.

Polar[®] Focus



Ultimate Line Array Rigging

Architectural Specification:

The rigging device shall allow for infinitely adjustable tilt control while under load. It shall attach to the Renkus-Heinz VARIAi connection plates via 8 M8x40mm Class 8.8 bolts. The position to support the rigging device shall be infinitely adjustable under load over the operational range. It shall be manufactured of structural steel. It shall have a Working Load Limit of 575 lbs (260 kg) with a 10:1 design factor. The rigging device shall be the ORH-VARIA-Raven.

Overall Length:	26.69" (677.93mm)
Overall Height:	9.04" (229.62mm)
Overall width:	22.38" (568.45mm)
Working Load Limit:	575 lbs (8 speakers) (260.82 kg)
Range of Pick Points:	19.22" (488.19mm)
Weight:	47.52 lbs (21.55 kg)
Pickup Position:	Infinitely Adjustable
Primary Material:	Structural Steel
Finish:	Powder Coat Black Powder Coat White

