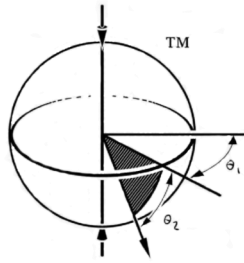


# Polar<sup>®</sup> Focus



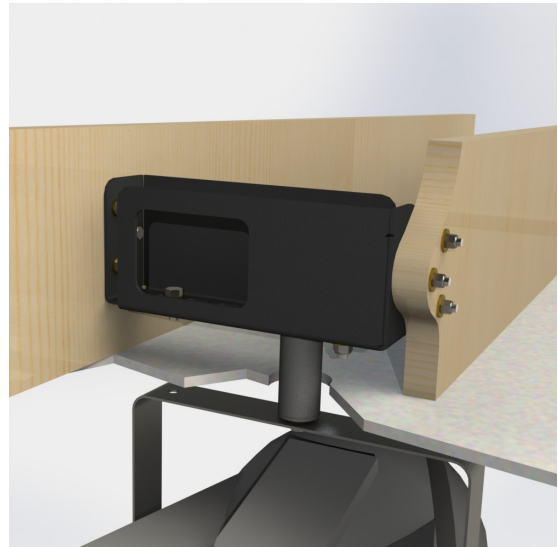
Ultimate Line Array Rigging

## JB-16-300 Joyst Bridge<sup>™</sup>

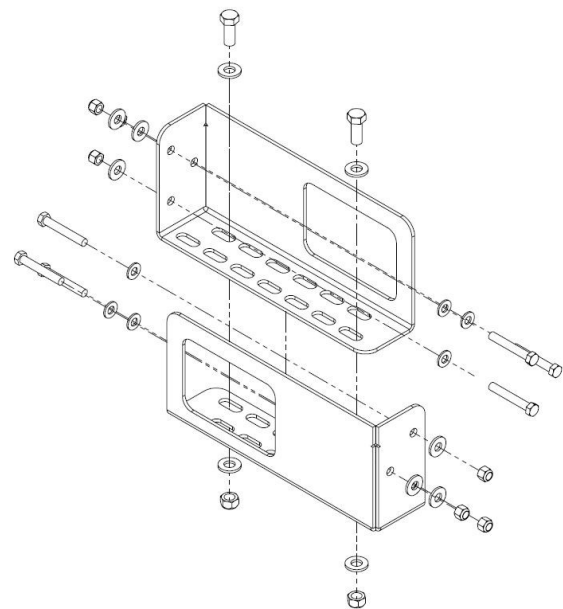
Designed for installation between ceiling joists, the Joyst Bridge<sup>™</sup> allows for an easy connection to Polar Focus<sup>®</sup> speaker rigging and mounting accessories.

The adjustability of the Joyst Bridge<sup>™</sup> component allows a cluster to be mounted between joists at various center-to-center spacings.

Polar Focus Ultimate Line Array Rigging. For more assistance, call our audio rigging consultants at (413) 586-4444.



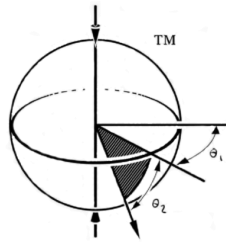
*Figure 1. Polar Focus JB-16-300 allows installation between ceiling joists.*



*Figure 2. Polar Focus JB-16-300 allows installation between ceiling joists.*

See [www.linearrayframes.com](http://www.linearrayframes.com) for pan control, roof attachment, OEM products, line array frames and manufacturer-specific rigging.

# Polar<sup>®</sup> Focus



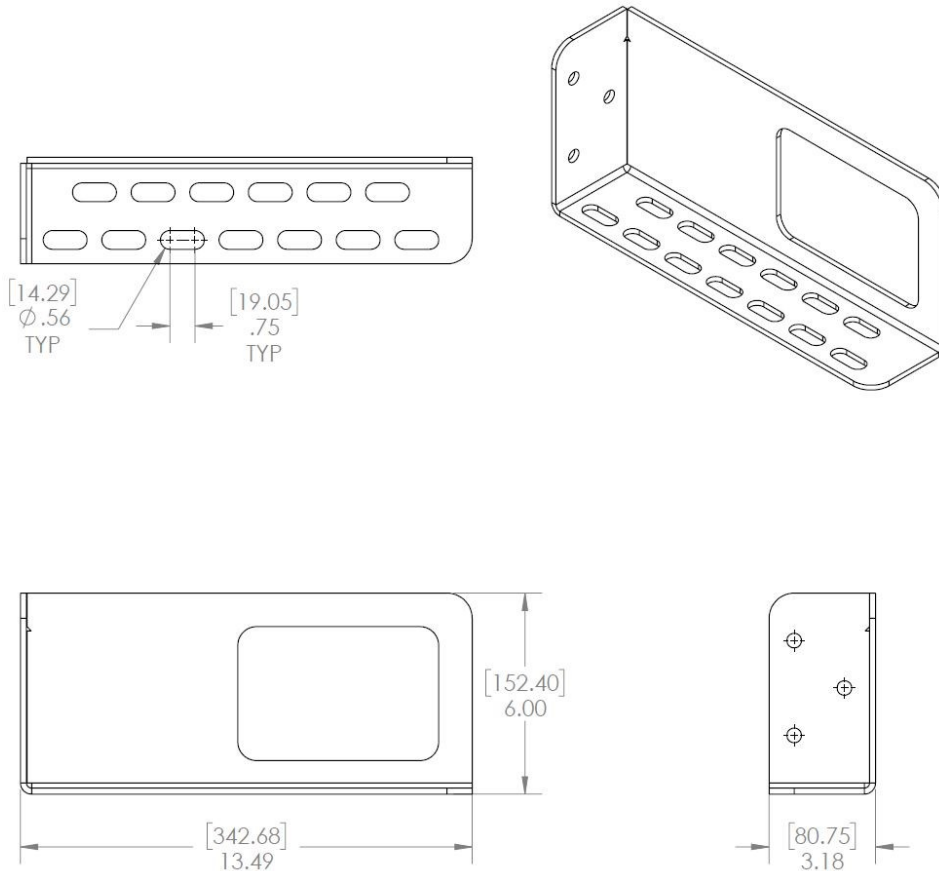
## Ultimate Line Array Rigging

### Architectural Specification:

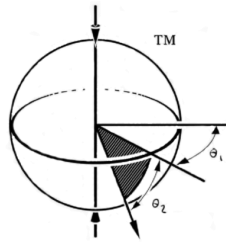
The rigging suspension kit shall allow for the support of a suspended load between two level or sloped wooden joists. The rigging suspension kit shall be made of structural steel and grade 5 hardware. The rigging suspension kit shall have a design factor of 10:1 with a Working Load Limit of 300 lbs.

The rigging suspension kit shall be the Polar Focus Joyst Bridge<sup>™</sup> JB-16-300.

Overall Length Max:	16.5" (419mm)
Overall Length Min:	13.875" (352mm)
Overall Height:	6.95" (177mm)
Overall width:	3.52" (89mm)
Weight:	11 lbs (5 kg)
Primary Material:	Structural Steel
Working Load Limit:	300 lbs (136 kg)
Finish:	Powder Coat B/W



# Polar<sup>®</sup> Focus



Ultimate Line Array Rigging

