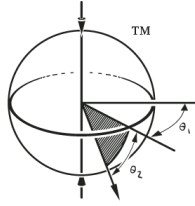


# Polar<sup>®</sup> Focus

Audio Rigging Products



## OBO-RMS215-Hammerhead

## OBO-RMS215-BOXKIT

### Array Frame for Bose<sup>®</sup> RoomMatch<sup>®</sup> RMS215

Designed for increased functionality and lower installation cost, the OBO-RMS215-Hammerhead is an aftermarket replacement array frame for the Bose RMAFLG Large Array Frame used with the Bose RoomMatch Progressive Directivity Array RMS215 Subwoofer.

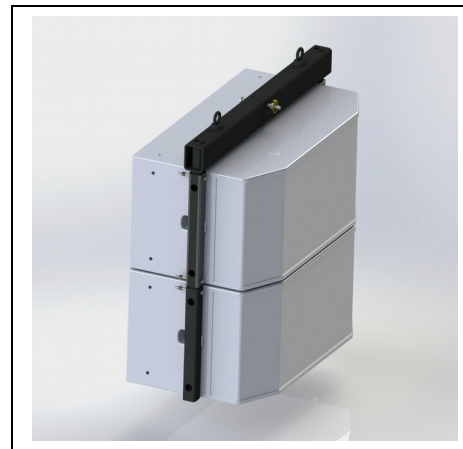
The OBO-RMS215-Hammerhead system fastens to the subwoofer's side M10 inserts (located inline with the CG), using grade 10.9 bolts. The Hammerhead consists of the top beam with two dead hang points and a central PY1 pickup point. For each sub flown, a BOXKIT is used to attach the sub (up to 8) to the array. Each sub attaches to the array quickly and easily, and can be flown facing front or rear.

When attached to supporting XY Grid<sup>®</sup> family hardware, pan angle of the OBO-RMS215-Hammerhead can be adjusted in seconds without re-rigging anything.

This frame allows the precision aiming functionality that designers and installation technicians require. It also provides rapid installation to reduce labor costs.



**Figure 1.** OBO-RMS215-Hammerhead and 4 OBO-RMS215-BOXKIT shown in front to rear cardioid pattern. Shown without optional top attachment hardware.



**Figure 2.** OBO-RMS215-Hammerhead and 2 OBO-RMS215-BOXKIT shown in unidirectional orientation. Shown without optional top attachment hardware.

See [www.linearrayframes.com](http://www.linearrayframes.com) for pan control, roof attachment, OEM products, line array frames, and manufacturer-specific rigging.



## Architectural Specification:

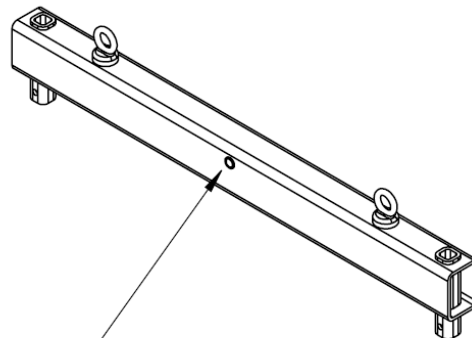
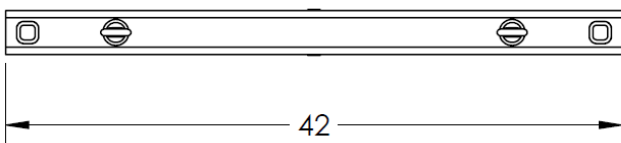
The loudspeaker rigging frame shall be welded structural steel, with a black powder coated finish. The loudspeaker rigging frame shall affix to the available attachment points on the Bose RMS215.

The frame shall allow for forward or rearward facing mounting. The loudspeaker rigging frame shall allow for quick connection to a family of pan control and roof attachment parts. The loudspeaker rigging frame shall be 3-1/8"W x 8-3/4"H x 42"L.

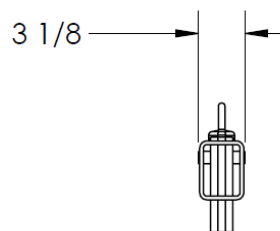
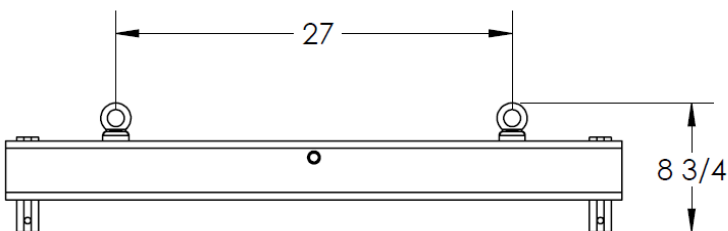
The line array frame shall be the OBO-RMS215-Hammerhead and OBO-RMS215-BOXKIT.

Overall Length:	42" (1067mm)
Overall Height:	8-3/4" (222mm)
Overall Width:	3-1/8" (78mm)
Weight Hammerhead:	41.6 lbs (18.87 kg)
Weight Single BOXKIT:	19.4 lbs (8.8 kg)
Primary Material:	Structural Steel
Finish:	Powder Coat Black
WLL @ 10:1:	Up to 8 RMS215 Subwoofers

### OBO-RMS215-Hammerhead

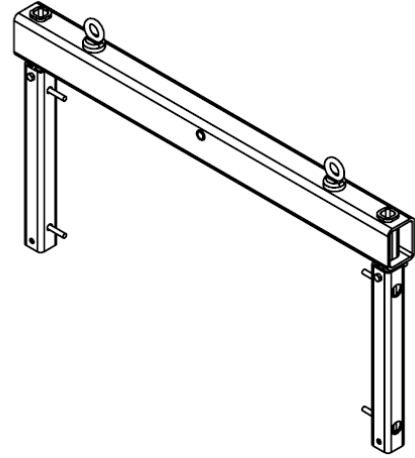
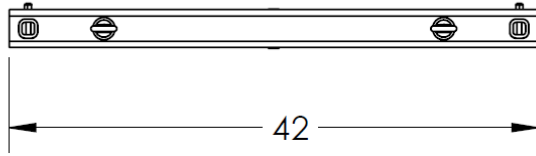


Connection point for PY1 pan and or roof attachment products



---

**OBO-RMS215-Hammerhead  
With Single  
OBO-RMS215-BOXKIT**



Note: Add  $17 \frac{3}{4}$  for each BOXKIT added

