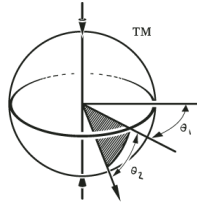


Polar[®] Focus



Audio Rigging Products

OBO-RM-Stingray

Array Frame for Bose[®] RoomMatch[®] family

Designed for increased functionality and lower installation cost, the OBO-RM-Stingray is an aftermarket replacement array frame for the Bose RMAFLG Large array frame used with the Bose RoomMatch Progressive Directivity Array loudspeaker family.

The OBO-RM-Stingray fastens to the loudspeakers using the integrated side plate rigging hardware included with the RoomMatch speaker. The Stingray frame's Wiggle Plates[™] allow for incredibly easy and lightning fast mating to the loudspeaker.

The OBO-RM-Stingray features infinitely adjustable tilt control while under load without requiring re-rigging the cluster, or using chain hoists. When attached to supporting XY Grid[®] family hardware, pan angle of the OBO-RM-Stingray can be adjusted in seconds without re-rigging anything.

This Frame allows the precision aiming functionality that designers and installation technicians require. It also provides rapid installation to reduce labor costs.

For use with up to 8 full-range loudspeakers or RMS215 subwoofers.



Figure 1. OBO-RM-Stingray shown without optional top attachment hardware



See www.linearrayframes.com for pan control, roof attachment, OEM products, line array frames and manufacturer-specific rigging.



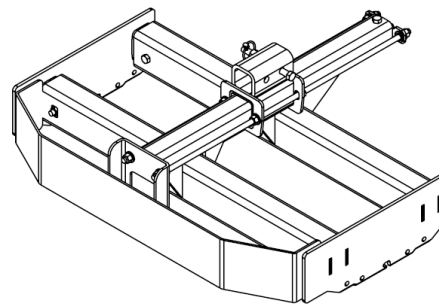
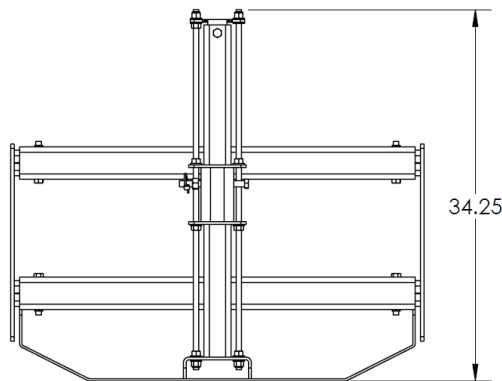
Architectural Specification:

The loudspeaker rigging frame shall be welded structural steel, with a black powder coated finish. The loudspeaker rigging frame shall affix to the available attachment points on the Bose loudspeaker in the RoomMatch family of loudspeakers.

The frame shall allow for infinitely adjustable tilt control over the tilt angle of the cluster. The loudspeaker rigging frame shall allow for quick connection to a family of pan control and roof attachment parts. The loudspeaker rigging frame shall be 38"W x 12-7/8"H x 34-1/4"L.

The line array frame shall be the OBO-RM-Stringray.

- Overall Length: 34-1/4" (870mm)
- Overall Height: 12-7/8" (327mm)
- Overall Width: 38" (965mm)
- Weight: 149 lbs (66.23 kg)
- Primary Material: Structural Steel
- Finish: Powder Coat Black
- WLL @ 10:1: Up to 8 Room Match Full-Range Loudspeakers or RMS215 Subwoofers



Rear most hang point with Bose RMXSRT Short Extender Bars inward position

Rear most hang point on Polar Focus Stingray

Rear most hang point on Bose RMAFLG Large Array Frame

