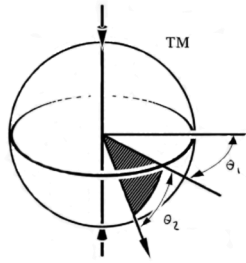


Polar[®] Focus



Ultimate Line Array Rigging

OJB-FALCON-B **OJB-FALCON-W** **Falcon Frame**

The Falcon line array frame fits JBL VLA-C Series loudspeakers. The Falcon frame allows the array to have easily adjustable pan and tilt under full load. Using any Polar Focus line array accessory or structural attachment this array frame can be installed quickly and easily.

This product is compatible with any Polar Focus product with a part code beginning with 'PY0' or 'PY1', allowing simple system design. We offer a full line of structural attachment accessories for roofs, walls, poles, crank towers, lighting truss and motor adapters.

See www.linearrayframes.com for a full family of accessories.



Figure 1. OJB-Falcon

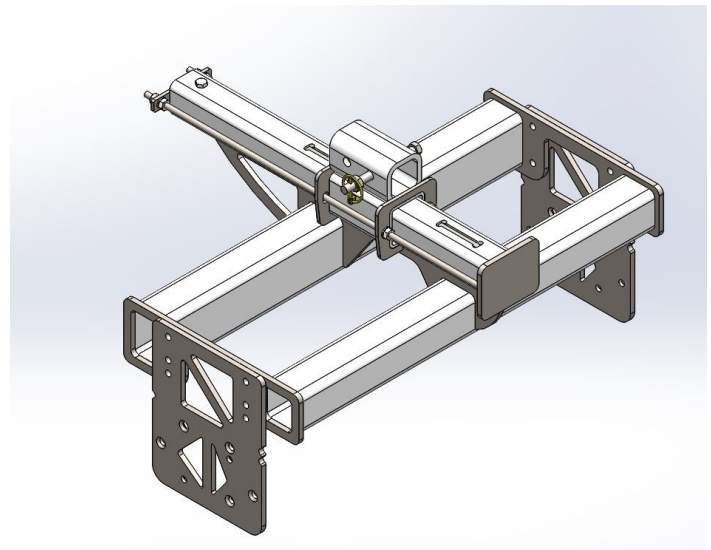
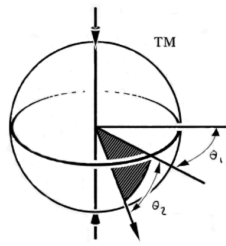


Figure 2. OJB-Falcon

Polar[®] Focus



Ultimate Line Array Rigging

Architectural Specification:

The loudspeaker rigging frame shall be welded structural steel, with a black or white powder coat finish. The loudspeaker rigging frame shall affix to the available attachment points on the JBL VLA-C series of loudspeaker. The frame shall allow for infinitely adjustable control of the tilt angle of the cluster. The loudspeaker rigging frame shall allow for quick connection to a family of pan control and roof attachment parts.

The loudspeaker frame shall be the JBL-VLAC-FALCON.

Overall Length: 28.8" (730mm)

Overall Height: 18.7 (475mm)

Overall Width: 32.5 (824mm)

Weight:: 115 lbs. (52 kg)

Primary Material: Structural Steel

Finish: Powder Coat Black / White

Working Load Limit: 1550 lbs. (703 kg)

