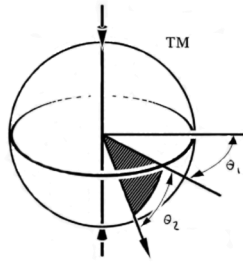


Polar[®] Focus



Ultimate Line Array Rigging

OJB-VRX932-AF

Replacement array frame for VRX-AF

The Polar Focus OJB-VRX932-AF is designed to be an aftermarket basic utility frame for the JBL VRX932 and VRX918S loudspeaker family.

This frame attaches to the same quick pin side hardware on the speaker products, but with a 10:1 design factor instead of the 7:1 design factor on the stock JBL line array frame. The OJB-VRX932-AF frame can be supported by standard 3/8" screw pin anchor shackles (two included per unit).

This frame, as a suspension frame, is not intended for outdoor or wind exposed installations. All outdoor or wind exposed installations must be rigidly mounted to prevent movement in wind conditions. If the OJB-VRX932-AF is to be suspended from slings, ensure that there is no more than a 60° included angle between the slings.

See the table below for more information on capacity.

Maximum number of VRX918SP in array:	0	1	2	3	4	5	6
Maximum number of VRX932LAP in array:	6	5	4	3	2	1	0

* This table may also be used for the non-powered versions of the speaker and subwoofer.

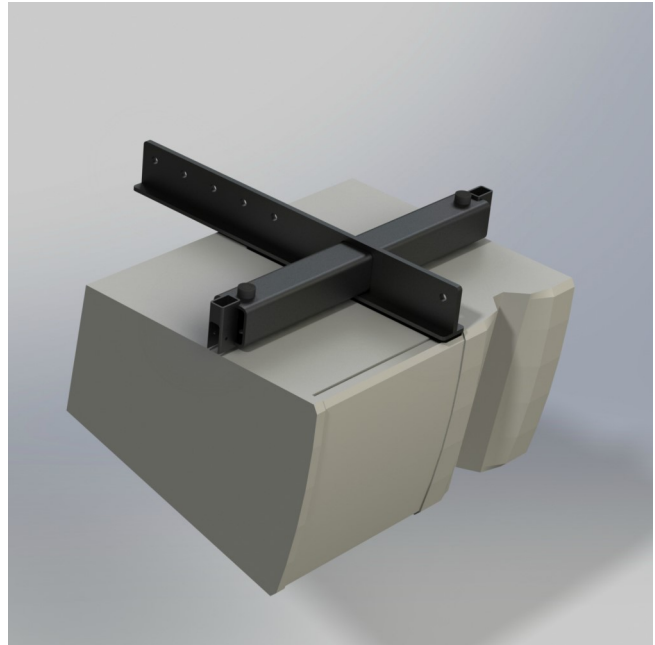


Figure 1. OJB-VRX932-AF—Line Array frame for JBL VRX

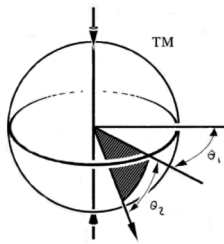
See www.linearrayframes.com for pan and tilt control, roof attachment, OEM products, line array frames and manufacturer-specific rigging.

Polar Focus, Inc. • 20 Industrial Dr. East • South Deerfield, MA 01373 USA • 413-586-4444

PolarFocus.com • LineArrayFrames.com • Specifications subject to change. • Copyright© 2019

Polar Focus®, Zbeam® and XY Grid® are registered trademarks of Polar Focus, Inc.

Polar[®] Focus



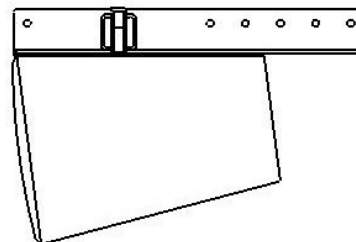
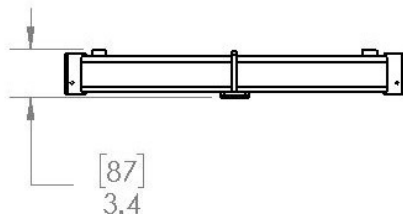
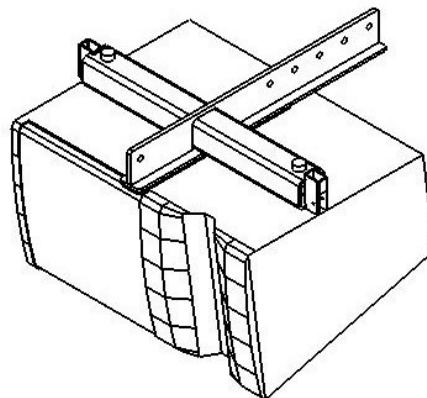
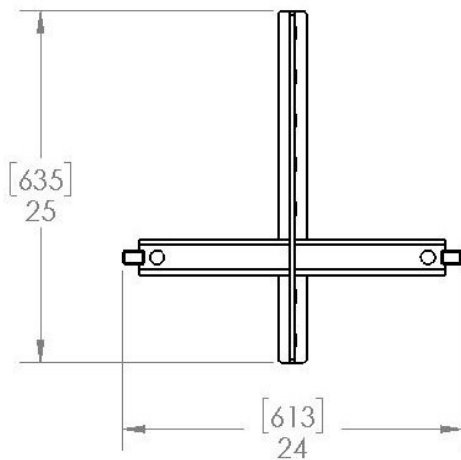
Ultimate Line Array Rigging

Architectural Specification:

The loudspeaker rigging frame shall be welded structural steel, with a black or white powder coat finish. The loudspeaker rigging frame shall affix to the available rigging points on the JBL VRX932LA, JBL VRX932LAP, JBL VRX918S, and the JBL VRX918SP speakers and to shackles for roof support. If the loudspeaker rigging frame is inverted and resting on the supplied rubber bumpers on the stage floor, the loudspeaker rigging frame will support up to 4 JBL VRX932LA/P loudspeakers.

The loudspeaker frame shall be the OJB-VRX932-AF.

Overall Length:	25" (635mm)
Overall Height:	3.4" (87mm)
Overall Width:	24" (613mm)
Weight:	22.4 lbs. (10.2 kg)
Primary Material:	Structural Steel
Finish:	Powder Coat Black / White
WLL:	510 lbs. (182 kg)



Polar Focus, Inc. • 20 Industrial Dr. East • South Deerfield, MA 01373 USA • 413-586-4444

PolarFocus.com • LineArrayFrames.com • Specifications subject to change. • Copyright© 2019

Polar Focus®, Zbeam® and XY Grid® are registered trademarks of Polar Focus, Inc.