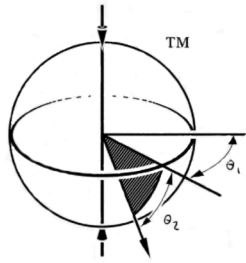


# Polar<sup>®</sup> Focus



Ultimate Line Array Rigging

## OME-SWIFT-B OME-SWIFT-W Swift Frame

The Swift line array frame allows the array to have easily adjustable pan and tilt under full load. Using any Polar Focus line array accessory or structural attachment this array frame can be installed quickly and easily.

Fits high quality loudspeakers manufactured in Berkeley CA, 41-43 lbs class mid high speakers W: 20.27" x H: 8.38" x D: 15.32" and matching 105 lb class Low Frequency Cabinet W: 21.80" x H: 20.30" x D: 20.88".

See [www.linearrayframes.com](http://www.linearrayframes.com) for a full family of accessories.

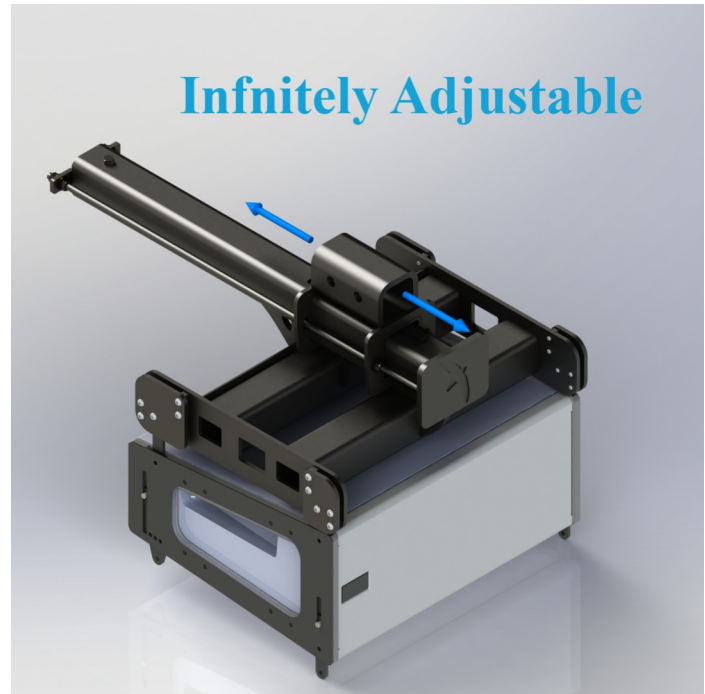


Figure 1. OME-SWIFT-B

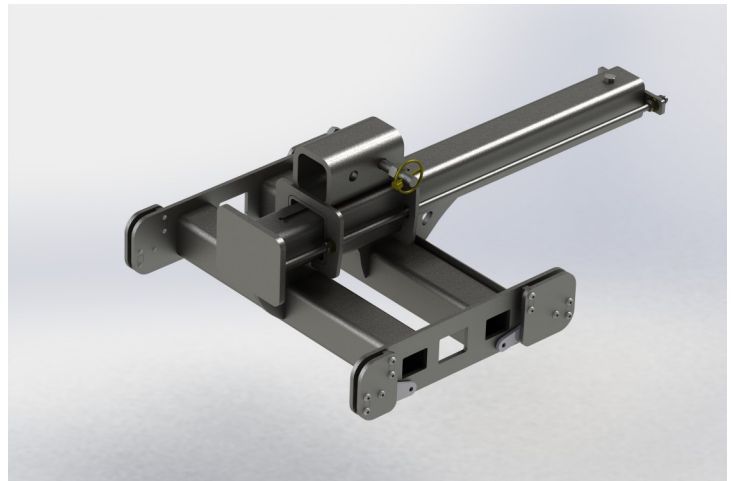
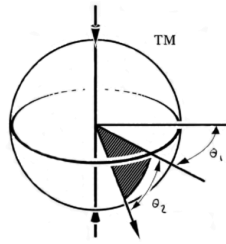


Figure 2. OME-SWIFT-B

# Polar<sup>®</sup> Focus



## Ultimate Line Array Rigging

### Architectural Specification:

The loudspeaker rigging frame shall be welded structural steel, powder coated for a long lasting finish available in black or white.. The loudspeaker rigging frame shall bolt into the available holes on the top of the Berkeley, CA manufactured loudspeakers. The frame shall allow for infinitely adjustable tilt control over the tilt angle of the cluster. The loudspeaker rigging frame shall allow for quick connection to a family of pan control and roof attachment parts.

Overall Length:	29" (735mm)
Overall Height:	10" (252mm)
Overall Width:	19" (483mm)
Weight::	67 lbs. (30 kg)
Primary Material:	Structural Steel
Finish:	Powder Coat Black / White
WLL:	559 lbs. (254 kg)

