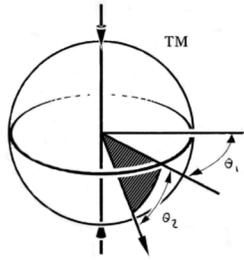


# Polar<sup>®</sup> Focus



Ultimate Line Array Rigging

## PM2-10-GR Pole Mount

Patent Pending

The PM2-10 is a pole mount product designed to be attached to poles as small as 4" in diameter. It is primarily used to mount one or two weather-rated loudspeakers that utilize a yoke or U-bracket.

The PM2-10 is mounted to the pole with 3/16" rigging rated stainless steel chain within a high pressure UV rated penumatic hose. The chain is tightened by an internal bolt carrier, allowing seamless installation and removal. The contact surface between the pole and the mount is protected from corrosion and abrasion by UV rated rubber. No metal components contact the pole, preserving the finish of the poles and complying with the latest warranty requirements.

Working Load Limit is 120 lbs. statically loaded. The estimated projected area (EPA) without speakers or yokes is 46 square inches.

The PM2-10 can accept a variety of combinations to suit site specifications. Yoke mounted speakers can be attached to the top and bottom of the beam. Multiple mounts may be attached to a single pole at the same height to meet high concentration demands. The PM2-10 will accept any yoke 20" in width and under, that utilizes standard 1/2" or M12 axle hardware.

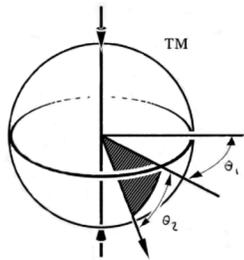


*Figure 1: PM2-10-GR Pole Mount shown with a Community R.35*



*Figure 2. PM2-10-GR Pole Mount shown with a Community R.15 and an R.35. Many more configurations are possible with the PM2-10-Z.*

# Polar<sup>®</sup> Focus



Ultimate Line Array Rigging

---

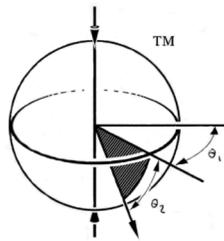


*Figure 3: Polar Focus PM2-10-GR shown here with Community Professional Loudspeakers R.15, R.35, &*

Any installer can correctly install the PM2-10-GR system tightly and correctly with minimal hassle when high above the ground. A single pole mount installation on average takes less than 1 man-hour, at location, with all materials and proper tools. The end result is a safe, easy to install system that can save time and money in both the short and long run.

Many configurations are possible, including married pairs, and multiple loudspeakers can be hung from a single mount, allowing installers to meet high concentration demands. This product is great for pole mounting speakers, lights, or video screens on permanent poles or poles in tents.

# Polar<sup>®</sup> Focus



## Ultimate Line Array Rigging

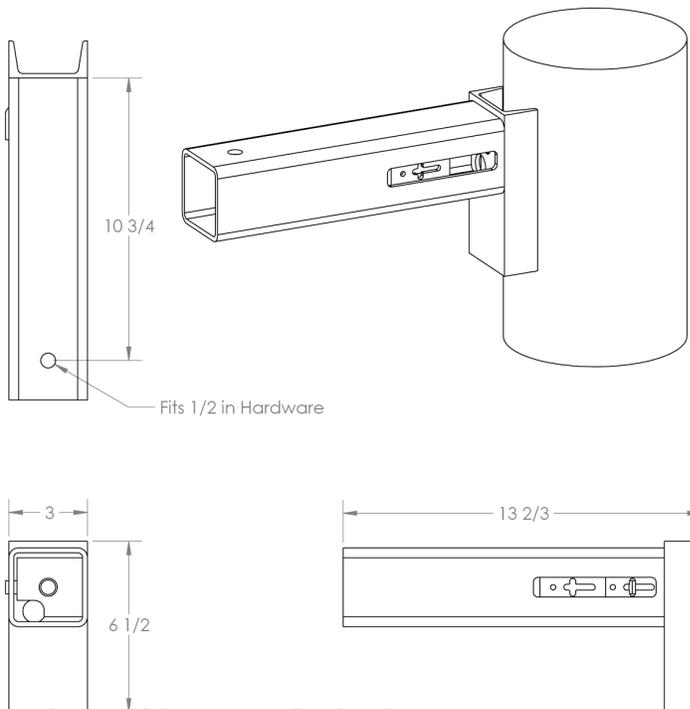
### Architectural Specification:

The loudspeaker(s) shall be mounted to the pole with a cantilever arm pole mount system. The pole mount shall be secured to the pole with a 3/16" rigging rated stainless chain in high pressure UV rated rubber hose.

The chain tension shall be adjustable using the chain cross bolt carrier. The Pole Mount body shall be isolated from the pole via high pressure UV rated rubber hose. The pole mount shall have upper and lower mounting positions that shall accept 1/2 inch mounting hardware. The WLL shall be 120 lbs. static load.

The Pole Mount shall be 13 2/3" (347.1 mm) long, 6 1/2" (165.1 mm) high, and 3" (76.2 mm) wide. The Pole Mount shall weigh 9.9 lbs (4.5kg). The Pole Mount shall be the Polar Focus PM2-10.

Overall Length:	13 2/3" (347.1 mm)
Overall Height:	6 1/2" (165.1 mm)
Overall Width:	3" (76.2 mm)
Min. Pole Diameter:	3.5" (88.9 mm)
Max. Pole Diameter:	10" (254 mm)
Weight, Without Chain:	9.9 lbs (4.5kg)
Primary Material:	Structural steel
Finish:	Zinc rich base powder coat with a UV resistant light gray powder coat finish.
WLL:	120 lbs (54.4 kg)
EPA:	46 Square Inches



\*Shown without mounting hardware