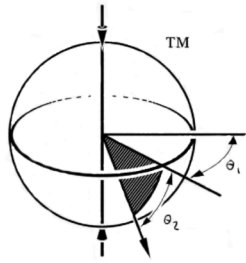


Polar[®] Focus



Ultimate Line Array Rigging

PY0-WMV-36-500

Polar Focus Wall Mount

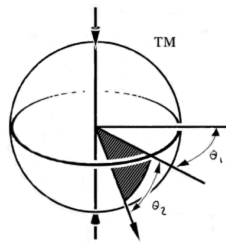
Polar Focus PY0-WMV-36-500 Wall Mount allows for almost any small to medium line array to be wall mounted. This product is designed to be mounted on a structurally approved wall that should be verified by a structural engineer.

Wall mounts may not be installed safely on nonstructural interior partition walls. To determine if a wall is structural; contact a local structural engineer, building inspector, or other qualified individual. The Wall Mount Kit does not include threaded rod or other fasteners to attach to a wall.



Figure 1. Polar Focus PY0-WMV-36-500 Wall Mount

Polar[®] Focus



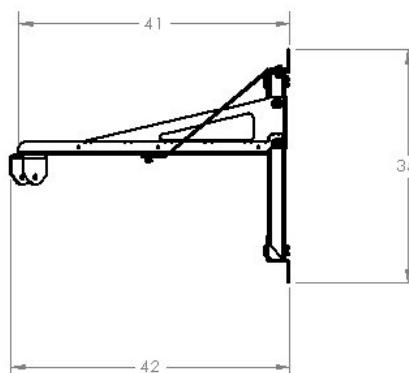
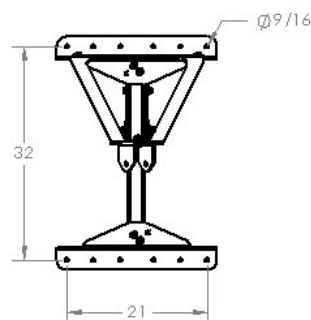
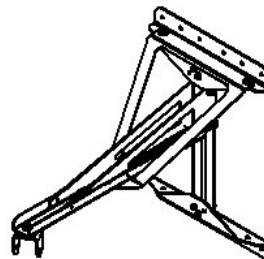
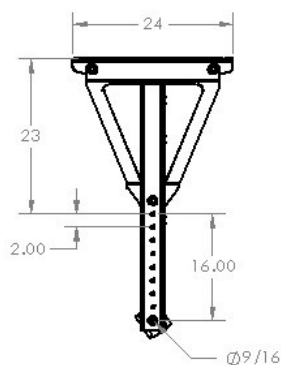
Ultimate Line Array Rigging

Architectural Specification:

The loudspeaker load shall be carried by the wall with the use of a welded steel bracket. The bracket shall be manufactured from structural steel, welded by a certified welder. The bracket shall have a working load limit of 500* lbs with a 10:1 design factor to yield strength.

The bracket shall allow for 16" of speaker adjustment towards or away from the wall. The bracket shall have a 21" wide by 32" high mounting pattern. The wall mount bracket shall be the Polar Focus PY0-WMV-36-500.

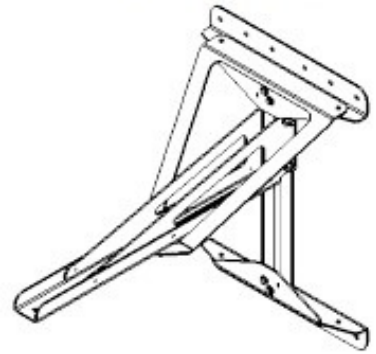
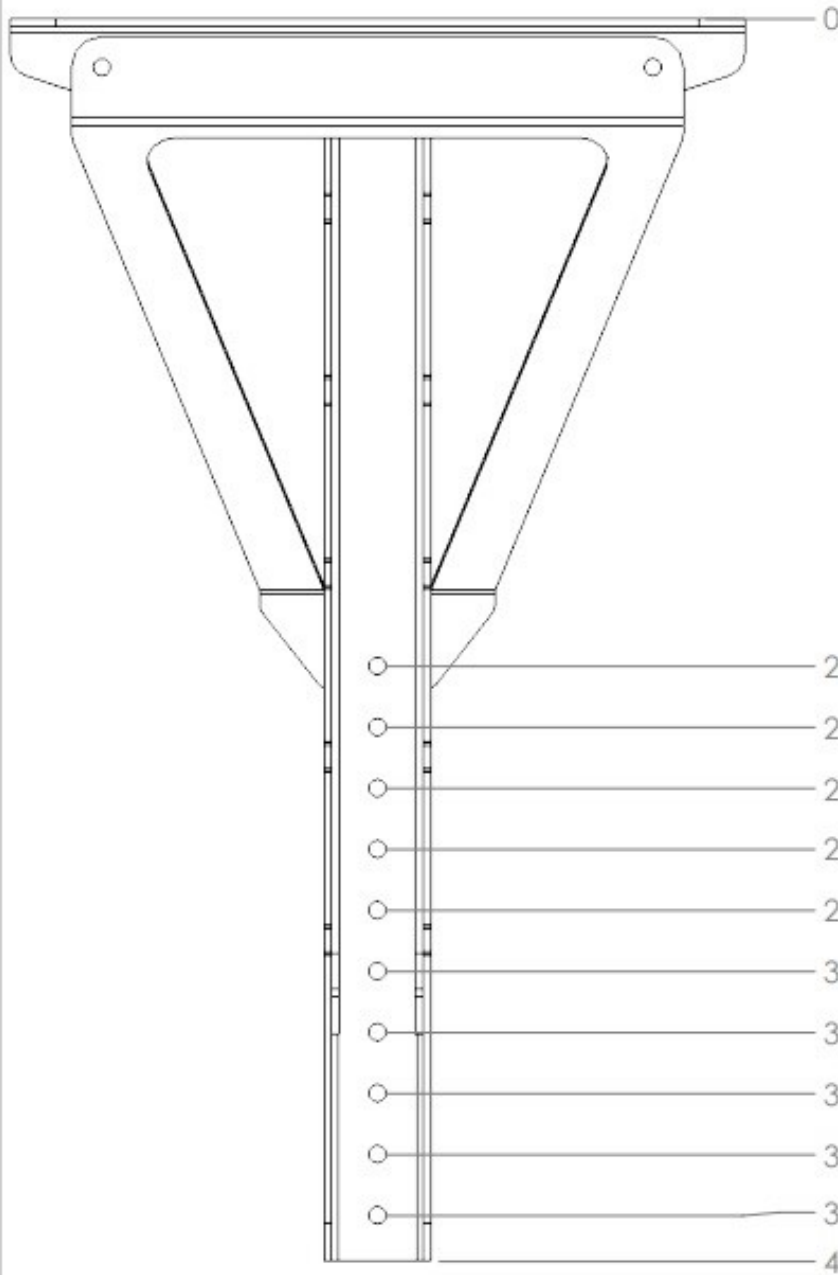
| | |
|-------------------|-------------------------|
| Overall Length: | 41" (1041mm) |
| Overall Height: | 35" (889mm) |
| Overall Width: | 24" (610mm) |
| Weight: | 90.5 lbs. (41kg) |
| Primary Material: | Structural Steel |
| Finish: | Powder coat black/white |
| WLL: | 500* lbs. (226.8 kg) |



*See the last page of this datasheet for alternate configurations with higher values for the Working Load Limit.

ISOMETRIC VIEW

TOP VIEW



- 21.21 WLL: 924 LBS.
- 23.21 WLL: 844 LBS.
- 25.21 WLL: 777 LBS.
- 27.21 WLL: 720 LBS.
- 29.21 WLL: 671 LBS.
- 31.21 WLL: 628 LBS.
- 33.21 WLL: 590 LBS.
- 35.21 WLL: 556 LBS.
- 37.21 WLL: 526 LBS.
- 39.21 WLL: 500 LBS.
- 40.71

Polar Focus



Notes:

SEE SUBMITTAL DRAWING NOTES -J.PDF
 PROPRIETARY AND CONFIDENTIAL
 THE INFORMATION CONTAINED IN THIS DRAWING
 IS THE SOLE PROPERTY OF POLAR FOCUS. ANY
 REPRODUCTION IN PART OR AS A WHOLE WITHOUT THE
 WRITTEN PERMISSION OF POLAR FOCUS IS PROHIBITED.
 COPYRIGHT © 2017 Polar Focus, Inc.
 POLAR FOCUS® is a Registered Trademark of Polar Focus, Inc.

NOTES:
 FABRICATION TOLERANCES ARE $\pm 1/16"$.
 LASER CUT $\pm .005$.

ALL EYEBOLTS SHOULD BE TURNED SO
 THAT THE LOAD IS IN THE PLANE OF THE
 EYE.
 OUR PRODUCTS ARE DESIGNED AS A
 COMPLETE SET.

POLAR FOCUS WILL NOT BE RESPONSIBLE
 IF ANY CHANGES AND/OR ALTERATIONS
 ARE MADE WITHOUT WRITTEN CONSENT
 AND ENGINEERING APPROVAL.

MATERIAL:

FINISH:

| | NAME | DATE |
|-----------|------|------------|
| DRAWN | JM | 07/20/2020 |
| CHECKED | | |
| ENG APPR. | | |
| MFG APPR. | | |

Polar Focus, Inc.
 20 Industrial Dr. E.,
 Unit 2
 South Deerfield, MA.
 01373
 Ph. 413-586-4444
www.polarfocus.com

Engineering Submittal

**WMV-36-500
 Working Load Limit
 Chart**

| SIZE | DWG. NO. | REV. |
|----------|-----------------------|--------------|
| A | _WMV-36-500-WLL Chart | 00 |
| SCALE: | WEIGHT: | SHEET 1 OF 1 |