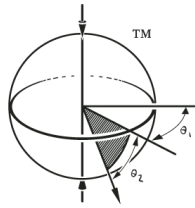


---

# Polar<sup>®</sup> Focus



Audio Rigging Products

---

## PY1-CTK

### PY1 Quick Disconnect Fitting for Crank Towers

Polar Focus PY1-CTK is part of the PY1 Quick Disconnect Fitting family for Line Array Rigging.

This fitting allows a cluster to be mounted to a Crank Tower with pan control. For tilt control, use an SFA-16-1100 Spine Frame Adapter, or a Polar Focus aftermarket line array frame with built-in tilt control.

The Crank Tower Kit installs quickly and safely. All CTK's have pinch bolts for easily and accurately setting the load center, and safety chain to fix the CTK to the tower mast. Fixed separation CTK's have an allowance for slight variation in arm separation and parallelism for a good fit every time.

To find which CTK is right for your application, fill out the worksheet on page 3 to generate the CTK model number.

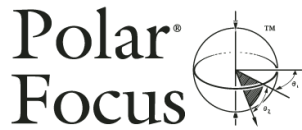
Polar Focus Ultimate Line Array Rigging.

For more assistance, call our audio rigging consultants at (413) 586-4444.



**Figure 1. Polar Focus PY1 Quick Disconnect Fitting with Crank Tower** - This fitting allows a cluster to be mounted to a Crank Tower with pan control (safety chain loops are not shown).

See [www.linearrayframes.com](http://www.linearrayframes.com) for pan control, roof attachment, OEM products, line array frames and manufacturer-specific rigging.



**Architectural Specification:**

The rigging device shall allow for infinitely adjustable pan control while under load. The pick up points shall allow for installation on towers with arm separation [Z]" on center. The pickup points shall accommodate 2"x 2" [or 2.5" x 1.5"] suspension arms.

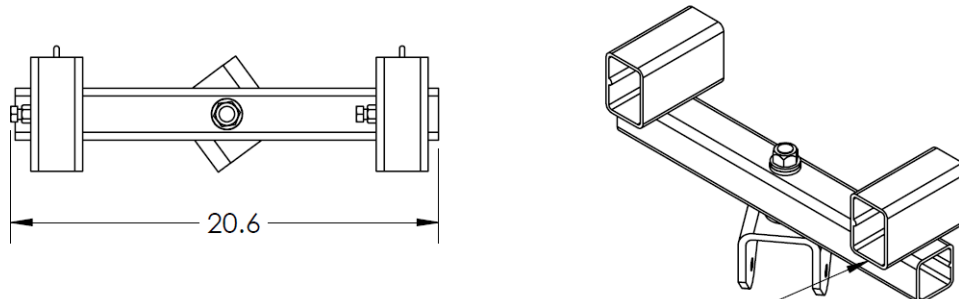
Attachment to suspension arms shall be achieved through pinch bolts and secondary safety chain slings. The rigging device shall be manufactured of welded structural steel and grade 5 fixture hardware. The rigging device shall have a Working Load Limit of 800 lbs.

The rigging device shall be the PY1-CTK.

**Data for PY1-CTK-XFZ**

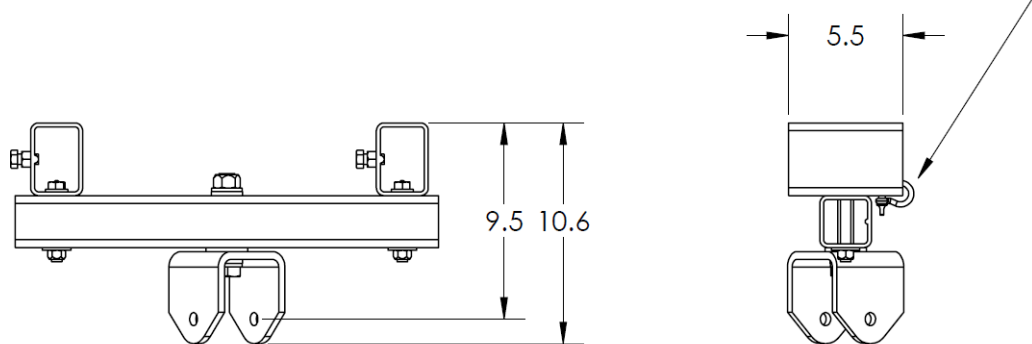
Overall Length:	20.6" (524mm)
Overall Height:	10.6" (270)
Overall Depth:	5.5" (140)
Arm Separation:	[Z]" $\pm$ 0.25" (432mm $\pm$ 6.4mm)
Arm Sleeve Size:	Fits 2" x 2" Arms (50.8mm x 50.8mm) Or 1.5" x 2.5" Arms (38.1mm x 63.5mm)
Weight:	22.4 lbs (10.16 kg)
Primary Material:	Structural Steel
Finish:	Black Powder Coat
WLL:	800 lbs. (363 kg)

Model shown fits 2" x 2" suspension arms with 17" separation.  
Other stock and custom models available.



Pick up is adjustable to allow for small variation in suspension arm separation and parallelism.

Safety Chain Slings not shown





To the right, the naming structure for the PY1-CTK can be found. X represents fork width and height (W1 and H1). Y represents the style of CTK (D separation fixed or adjustable). Z represents the nominal center distance between the arms. The worksheet to determine these values can be found below.

MODEL NUMBER CONFIGURATOR:  
PY1-CTK-XYZ

Fork Width and Height:

A - 1.5" x 2.5"

B - 2" x 2"

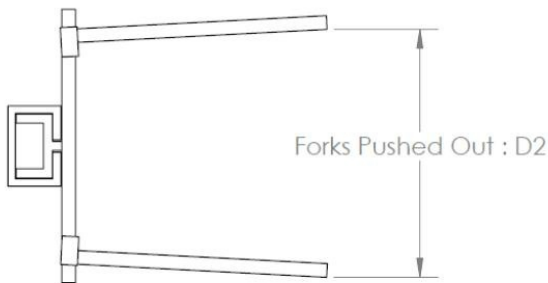
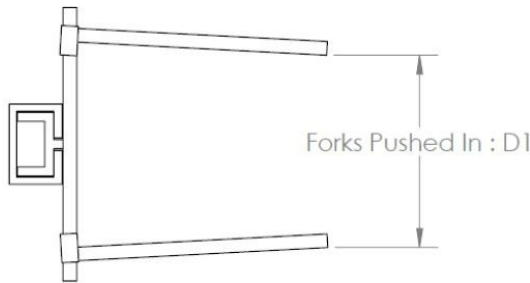
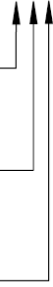
Model Style:

A - Fully Adjustable Span

F - Semi-Rigid Span

Fork Separation:

$(D1+D2)/2$



Notes:

- Measurements D1 and D2 should be taken from the inside face of one fork to the outside face of the other.
- Measurements D1 and D2 allow for direct centers to be calculated correcting for any play in the forks.
- Fully confined forks will result in equal D1 and D2 measurements.

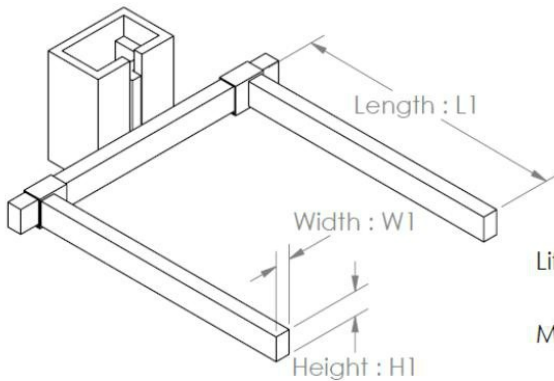
D1 (inches): \_\_\_\_\_

D2 (inches): \_\_\_\_\_

W1 (inches): \_\_\_\_\_

H1 (inches): \_\_\_\_\_

L1 (inches): \_\_\_\_\_



Lift Tower Model: \_\_\_\_\_

Maximum Lift Load (Lbs.): \_\_\_\_\_

Are Tower Arms Fixed Or Adjustable?: \_\_\_\_\_