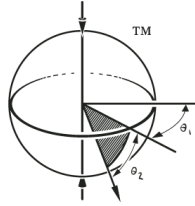


Polar[®] Focus



Audio Rigging Products

PY1-RBC-1-1100

PY1 Quick Disconnect Fitting with Integral Beam Clamp

PY1 Quick Disconnect Fitting with RBC-1-1100 allows an easy connection to Polar Focus[®] line array accessories.

This product allows a cluster to be mounted directly to a level steel I-Beam with pan control. Used for level I-beam with vertical loading only. Fits I-beams with a flange width from 2.95 to 9.05 inches. Maximum flange thickness is 0.79 inches.

WLL = 1100 lbs at 10:1 design factor.

Polar Focus Ultimate Line Array Rigging.

For more assistance, call our audio rigging consultants at (413) 586-4444.



Figure 1.
**Polar Focus PY1 Quick Disconnect Fitting with
Integral Beam Clamp**

*PY1-RBC-1-1100 allows a cluster to be mounted
directly to a level steel I-Beam with pan control.*

See www.linearrayframes.com for pan control, roof attachment, OEM products, line array frames, and manufacturer-specific rigging.



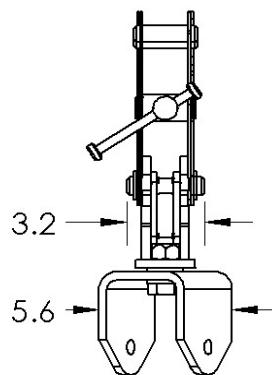
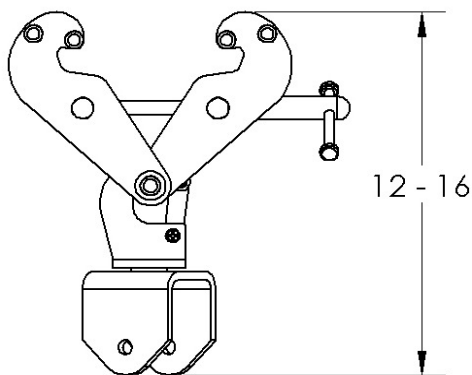
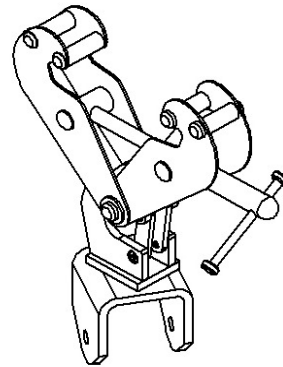
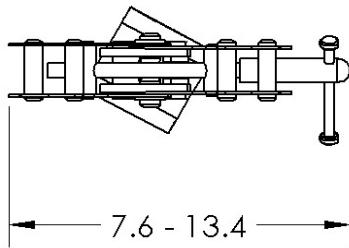
Architectural Specification:

The rigging suspension and aiming device shall have pan control of the suspended load. The pan control shall retain a set pan angle through the use of a rated friction bearing.

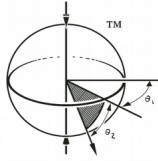
The clamp shall attach to beams with 2.95" to 9.05" flange width, and up to 0.79" flange thickness. The device shall be manufactured of welded structural steel, and grade 5 fixture hardware. The rigging suspension and aiming device shall have a design factor of 10:1 with a Working Load Limit of 1100 lbs.

The rigging suspension and aiming device shall be the Polar Focus PY1-RBC-1-1100.

- Overall Length Max: 13.4" (254mm)
- Min: 7.6" (193mm)
- Overall Height Max: 16" (549mm)
- Min: 12" (193mm)
- Overall Width: 5.6" (127)
- Weight: 19.1 lbs (8.7 kg)
- Primary Material: Structural Steel
- Finish: Black Powder Coat
- WLL: 1100 lbs (500 kg)
with a 10:1 design factor

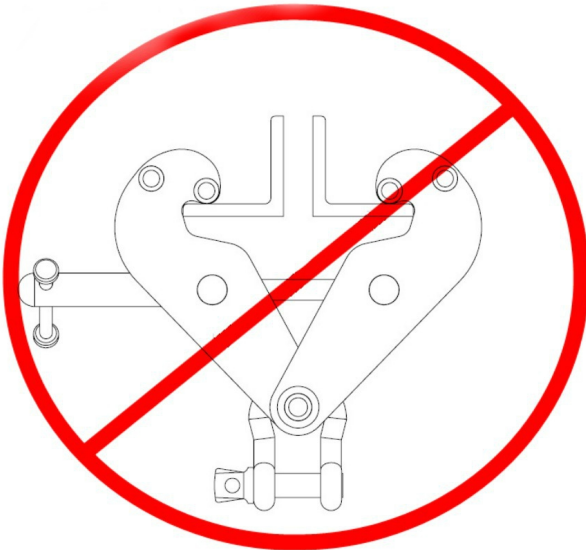


Polar[®]
Focus

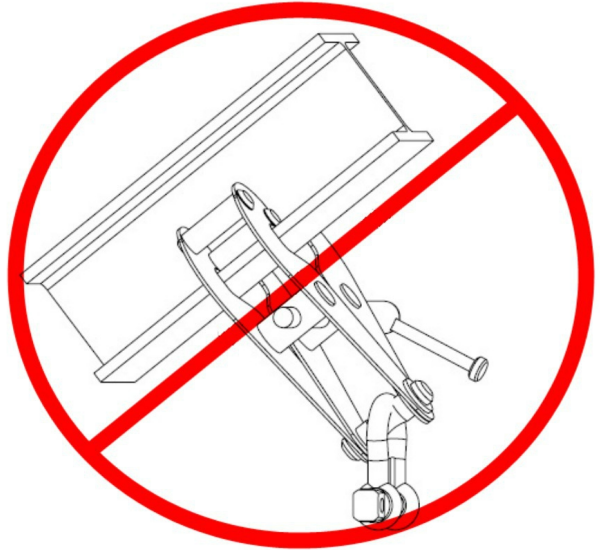


Audio Rigging Products

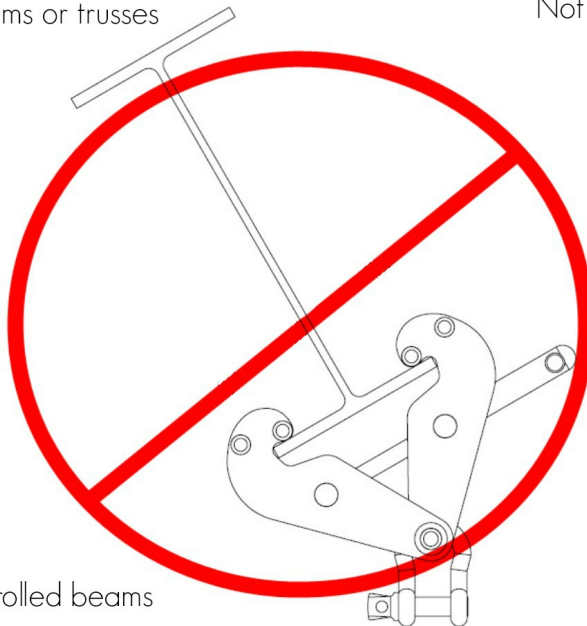
RBC Safety Exclusions



Not for use on double "L" beams or trusses



Not for use on sloped beams



Not for use with rolled beams

Polar Focus, Inc. • 20 Industrial Drive E., Unit 2 • South Deerfield, MA 01373 USA • 413-586-4444

www.polarfocus.com • Specifications subject to change. • Copyright© 2016

Polar Focus®, Zbeam® and XY Grid® are registered trademarks of Polar Focus, Inc.