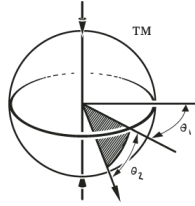

Polar[®] Focus



Audio Rigging Products

PY1-SLH

PY1 Quick Disconnect Fitting with Self Leveling Head

Polar Focus[®] PY1 Quick Disconnect Fitting with Self Leveling Head allows an easy connection to Polar Focus line array accessories.

PY1 Quick Disconnect Fitting with Self Leveling Head allows a cluster to be suspended at the apex of a bridle with pan control. Fits 5/8" shackles.

Polar Focus Ultimate Line Array Rigging.

For more assistance, call our audio rigging consultants at (413) 586-4444.



Figure 1.
**Polar Focus PY1 Quick Disconnect Fitting
with Self Leveling Head**
*Allows a cluster to be suspended at the apex
of a bridle with pan control.*

See www.linearrayframes.com for pan control, roof attachment, OEM products, line array frames and manufacturer-specific rigging.



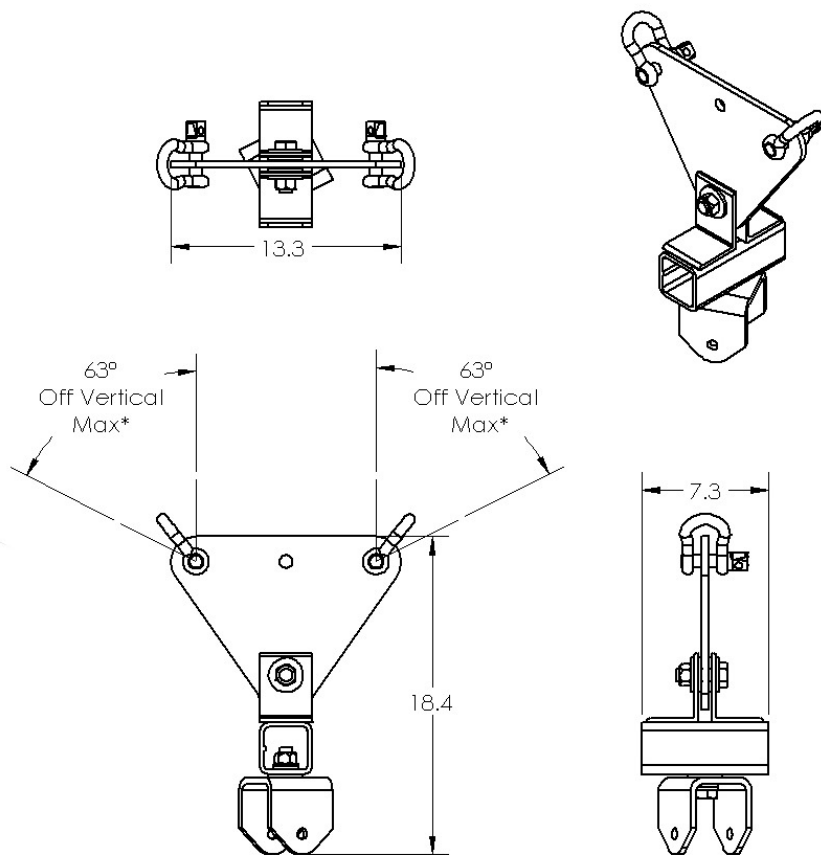
Architectural Specification:

The rigging suspension and aiming device shall allow for bridle hanging in appropriate installation locations. The rigging suspension and aiming device shall have pan control of the suspended load. The pan control shall retain a set pan angle through the use of a rated friction bearing.

The device shall be manufactured of welded structural steel, and grade 5 fixture hardware. The rigging suspension and aiming device shall have a design factor of 10:1 with a Working Load Limit of 1200 lbs with bridles less than 63° per side off of vertical.

The rigging suspension and aiming device shall be the Polar Focus PY1-SLH.

- Overall Length: 13.3" (338mm)
- Overall Height: 18.4" (467mm)
- Overall Width: 7.3" (127)
- Weight: 26.3 lbs (11.93 kg)
- Primary Material: Structural Steel
- Finish: Black Powder Coat
- WLL: 1200 lbs (544.3 kg) with a 10:1 design factor



*Other bridle configurations possible with approval of licensed Mechanical or Structural Engineer, or ETCP Certified Rigger. 1444 lbs maximum tensile load per top rigging point.