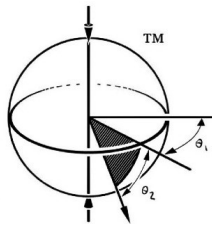


# Polar<sup>®</sup> Focus



Ultimate Line Array Rigging

---

## Zbeam<sup>®</sup>

### Universal Speaker Rigging Beam

The Polar Focus Zbeam allows loudspeaker systems to be installed quickly and efficiently. This product is a two-point support system for either a single speaker or a cluster, and can be used for permanent or temporary installations. The Zbeam allows for full pan control and features a friction bearing to quickly set and maintain a desired pan angle. The Zbeam is best used with the Polar Focus Tilt Cable Kit (TCK).

This product is not only affordable but will save in reduced installation time and is well suited for a large variety of venues.

All Zbeams have a 10:1 design factor, conforming to Polar Focus quality standards. Connections to the most common Zbeams are made with 5/16" or 8mm shackles.

For serviceable installed line arrays or other clusters raised and lowered on a single electric chain hoist, please see our [Motor Zbeam](#) or [Ultimate Line Array Rigging](#) products.

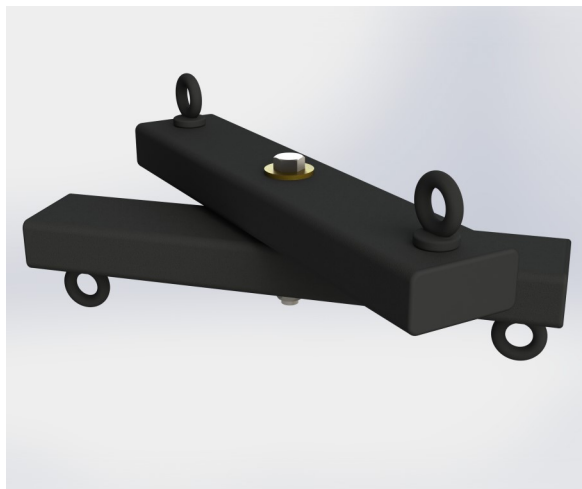
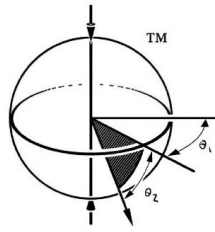


Figure 1. Polar Focus Zbeam



Figure 2. Polar Focus Zbeam, shown with Tilt Cable Kit

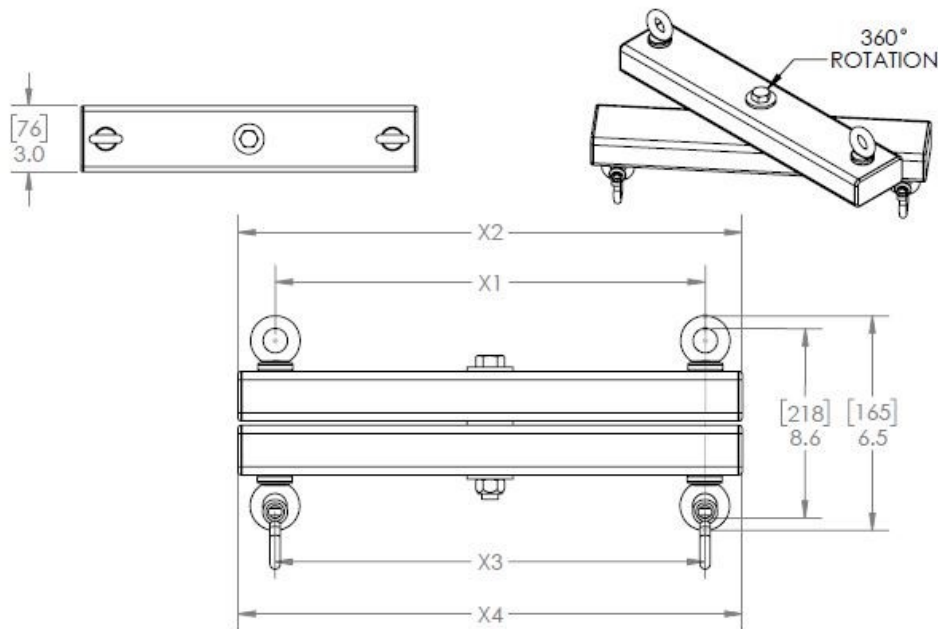
# Polar<sup>®</sup> Focus



## Ultimate Line Array Rigging

### Architectural Specification:

The rigging device shall allow for pan control while under load. The pan control shall retain a set pan angle through the use of a rated friction bearing. Upper and lower rigging points shall consist of two ¾" pad-eyes. The rigging device shall be manufactured of welded structural steel and grade 5 hardware. It shall have a Working Load Limit of 300 lbs (136 kg) or 550 lbs (249.5 kg) depending on model with a 10:1 design factor. The rigging device shall be the ZB-12.5-300, ZB-15-300, ZB-20-300, ZB-12.5-550, ZB-15-550, ZB-20-550, ZB-12.5-15-3, ZB-12.5-20-3, ZB-15-20-300, ZB-12.5-15-550, ZB-12.5-20-550, ZB-15-20-550.



ZBEAM STANDARD SIZES (OTHER SIZES AVAILABLE UPON REQUEST)					
PRODUCT NAME:	X1	X2	X3	X4	WORKING LOAD LIMIT (LBS/KG)
ZB-12.5-300	10.5" [267.7]	12.5" [317.5]	10.5" [267.7]	12.5" [317.5]	300 [136]
ZB-15-300	13" [330.2]	15" [381]	13" [330.2]	15" [381]	300 [136]
ZB-20-300	18" [457.2]	20" [508]	18" [457.2]	20" [508]	300 [136]
ZB-12.5-550	10.5" [267.7]	12.5" [317.5]	10.5" [267.7]	12.5" [317.5]	550 [227]
ZB-15-550	13" [330.2]	15" [381]	13" [330.2]	15" [381]	550 [227]
ZB-20-550	18" [457.2]	20" [508]	18" [457.2]	20" [508]	550 [227]
ZB-12.5-15-3	10.5" [267.7]	12.5" [317.5]	13" [330.2]	15" [381]	300 [136]
ZB-12.5-20-3	10.5" [267.7]	12.5" [317.5]	18" [457.2]	20" [508]	300 [136]
ZB-15-20-300	13" [330.2]	15" [381]	18" [457.2]	20" [508]	300 [136]
ZB-12.5-15-550	10.5" [267.7]	12.5" [317.5]	13" [330.2]	15" [381]	550 [227]
ZB-12.5-20-550	10.5" [267.7]	12.5" [317.5]	18" [457.2]	20" [508]	550 [227]
ZB-15-20-550	13" [330.2]	15" [381]	18" [457.2]	20" [508]	550 [227]

ALL ZBEAMS ACCEPT A 5/16" SHACKLE  
(SHACKLES NOT INCLUDED)