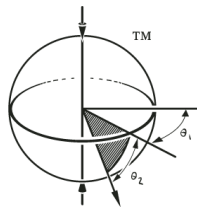


# Polar Focus<sup>®</sup>



Audio Rigging Products

## RLP-X2-1800

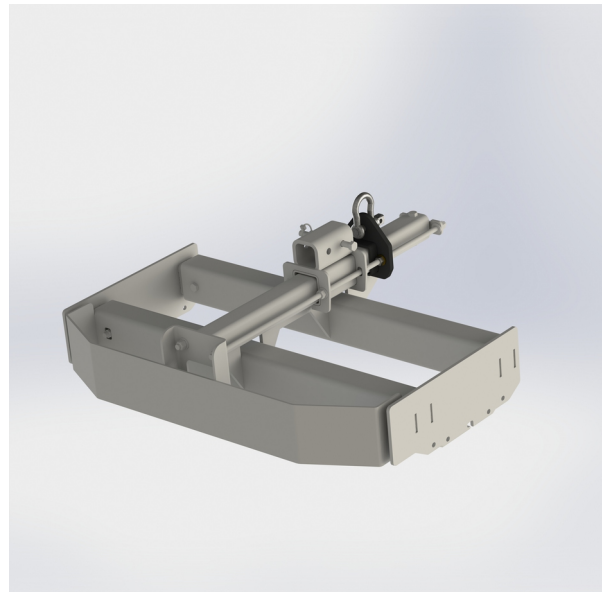
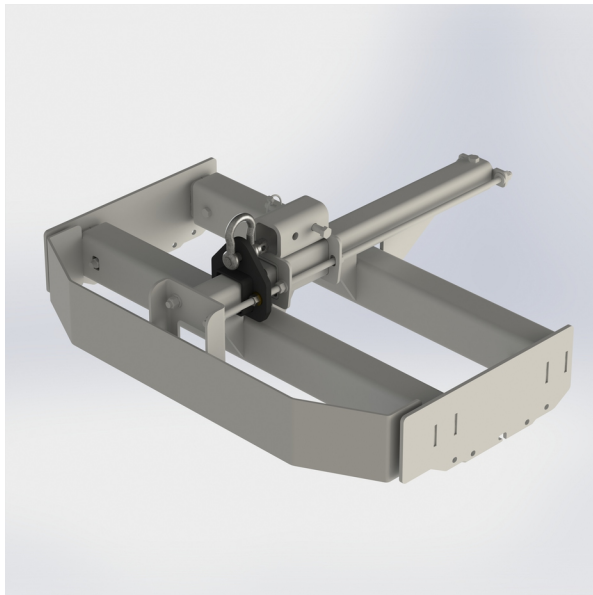
### Redundant Load Point for Polar Focus Line Array Frames

Redundant Load Points are used in jurisdictions where it is required to have a second load point to support the full speaker load. They are not needed by engineering definition but may be required within some building codes.

The RLP components can be added to a Polar Focus matching line array frame or spine frame adapter in the field when the line array frame or spine frame adapter is not supporting the load.



*Figure 1.*  
**Polar Focus RLP – Redundant Load Point**



See [www.linearrayframes.com](http://www.linearrayframes.com) for pan control, roof attachment, OEM products, line array frames and manufacturer-specific rigging.



### Architectural Specification:

The loudspeaker rigging frame redundant load point shall be welded structural steel, with a black powder coated finish. Supplied shackle shall be 5/8".

The loudspeaker rigging frame redundant load point shall affix to all Polar Focus rigging frames.

The redundant load point shall always be used in conjunction with the Polar Focus line array frame main load point.

The line array frame spreader shall be the Polar Focus RLP-X2-1800.

Overall Length:	3.9" (99mm)
Overall Height:	8.1" (206mm)
Overall Width:	5.8" (147mm)
Weight:	5.25 lbs (2.4 kg)
Primary Material:	Structural Steel
Finish:	Powder Coat Black
WLL @ 10:1:	1800 lbs. (816 kg)

