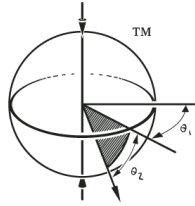


# Polar<sup>®</sup> Focus



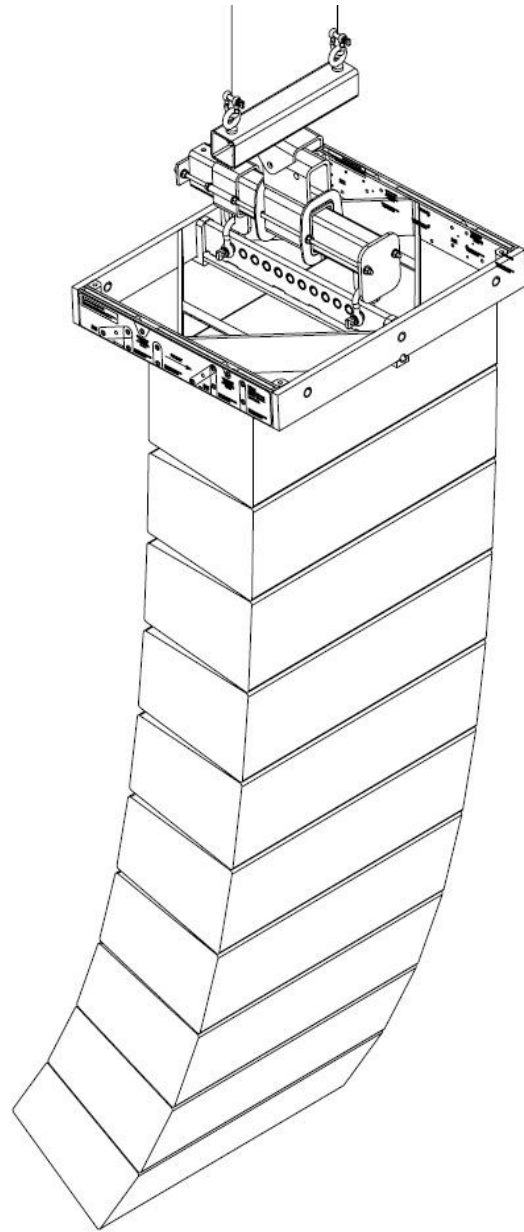
Audio Rigging Products

## SFA-24-3000 Spine Frame Adapter

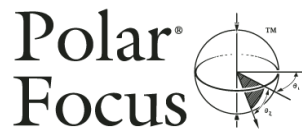
Designed for installation or portable use, the Spine Frame Adapter provides infinitely adjustable tilt control (while under full load) to a line array with the common front to back spine support frame configuration. Conforming to Polar Focus standards, this product has a 10:1 design factor.

The SFA-24-3000 will accept standard anchor shackles from 5/8" to 3/4", allowing it to be attached to almost any common spine type line array frame. The tilt of the line array is adjustable under full load with a 3/4 inch wrench, and can be locked down. For permanent installations, use blue thread lock under the locking nuts.

Pan angle of the line array is controlled and adjusted by components not included on the SFA-24-3000. This product is designed as part of the patented XY Grid<sup>®</sup> family of parts, and can only be used as supported by matching components within the family.



*The SFA-24-3000, shown with additional components for pan control, suspending a 1400 lb Meyer Mica line array.*



**Architectural Specification:**

The rigging device shall allow for infinitely adjustable tilt control while under load. It shall accept at its two load points shackles ranging in size from 5/8" to 3/4". The position of the pickup points shall be infinitely adjustable over the operational range. The position to support the rigging device shall be infinitely adjustable under load over the operational range. It shall be manufactured of structural steel. It shall have a Working Load Limit of 3000 lbs (1360.78 kg) with a 10:1 design factor. The rigging device shall be the SFA-24-3000.

Overall Length:	34" (863.6mm)
Overall Height:	15-5/8" (396.8mm)
Overall width:	7-1/2" (79mm)
Working Load Limit:	3000 lbs. (1360.78 kg)
Max. Usable Length:	24" (190.5mm)
Weight:	95 lbs (43.1 kg)
Shipping Weight:	110 lbs (49.9 kg)
Shackle hole Spacing:	10.5" - 24" (266mm - 609mm)
Pickup Spacing:	Infinitely Adjustable
Primary Material:	Structural Steel
Accepts Shackle Sizes:	5/8" – 3/4"
Finish:	Powder Coat Black (SFA-24-3000-B) or Powder Coat White (SFA-24-3000-W)

