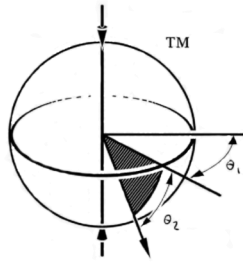


Polar[®] Focus



Ultimate Line Array Rigging

STEM-550

The Polar Focus Stem allows for a safe single point hang, passing through ceilings and clouds with a clean penetration. The hollow characteristic of the stem provides passage for a standard NL4FC connector cable. This method provides a clean and streamlined installation. Pricing is per foot, based on required length.

This product is compatible with other Polar Focus products, allowing simple system design. We offer a full line of structural attachment accessories for roofs, walls, poles, crank towers, lighting truss and motor adapters.

We offer structural engineer PE stamped drawings for our product scope for all 50 states and Canada. Need help rigging, mounting or aiming your loudspeakers or line arrays? We can help! Call us at (413) 586-4444.



Figure 1. STEM-550

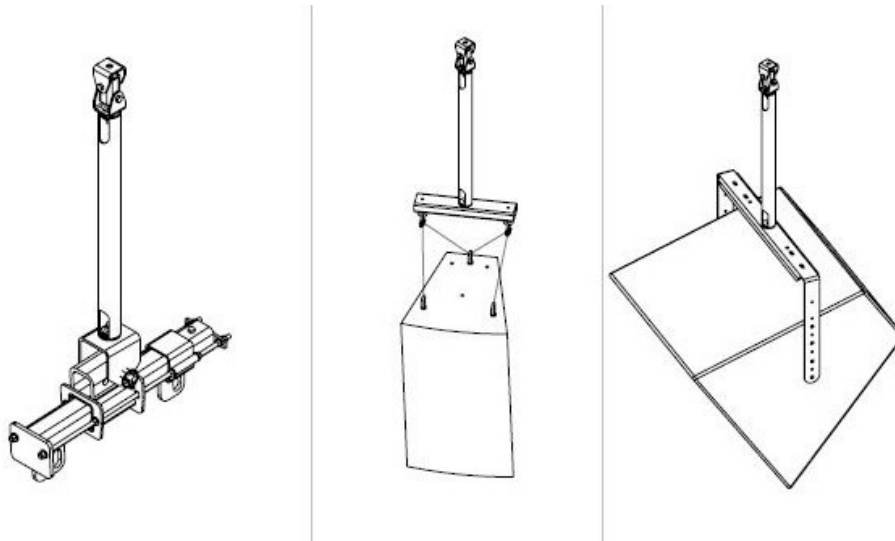
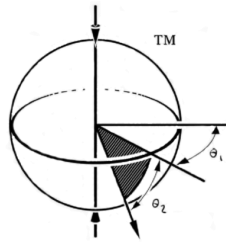


Figure 2. STEM-550 Possible configurations

Polar[®] Focus



Ultimate Line Array Rigging

Architectural Specification:

This product is intended to be used solely with Polar Focus hardware and industry standard yoke/U-brackets with a 9/16" hole. The rigging suspension and aiming device shall have pan control of the suspended load. The rigging suspension and aiming device shall be made of structural steel. The pan control shall retain a set pan angle through the use of a rated friction bearing. The rigging suspension device shall have a design factor of 10:1 with a Working Load Limit of 550 lbs. or (250 kg.)

Overall Length:	Variable (based on length)
Overall Height:	Variable (based on length)
Overall Width:	2" (50.8mm)
Weight:	2.5 lbs per foot
Primary Material:	Structural Steel
Finish:	Powder Coat Black / White
WLL:	550 lbs (250 kg)
Design Factor:	10:1

