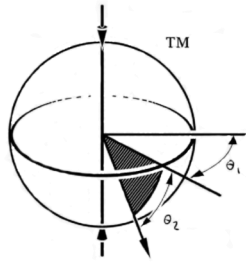


Polar[®] Focus



Ultimate Line Array Rigging

WMV-36-500

Polar Focus Wall Mount

Polar Focus WMV-36-500 Wall Mount is intended as a companion to the Zbeam, PY0, and YKV products, allowing for almost any Polar Focus line array frame, yoke mounted speaker, or small line array to be wall mounted. This product is designed to be mounted on a load bearing wall that shall be approved by a licensed structural engineer.

Wall mounts may not be installed safely on nonstructural interior partition walls. To determine if a wall is structural; contact a local structural engineer, building inspector, or other qualified individual. The Wall Mount Kit does not include threaded rod or other fasteners to attach to a wall.

The axle kits to mount a standard Polar Focus Zbeam half such as a ZBH-15-550 or a yoke are included.



Figure 1. Polar Focus WMV-36-500 Wall Mount

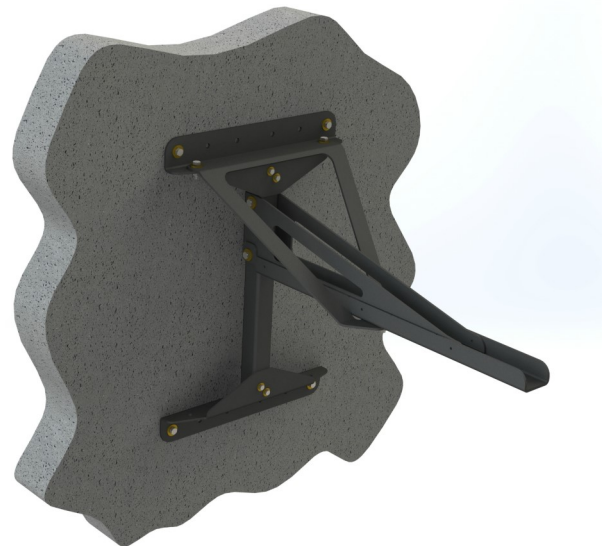


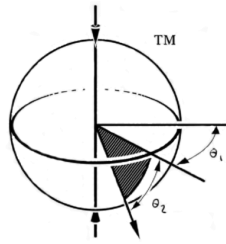
Figure 1. Polar Focus WMV-36-500 shown against section of typical concrete wall.

Polar Focus, Inc. • 20 Industrial Dr. East • South Deerfield, MA 01373 USA • 413-586-4444

PolarFocus.com • LineArrayFrames.com • Specifications subject to change. • Copyright© 2020

Polar Focus®, Zbeam® and XY Grid® are registered trademarks of Polar Focus, Inc.

Polar[®] Focus



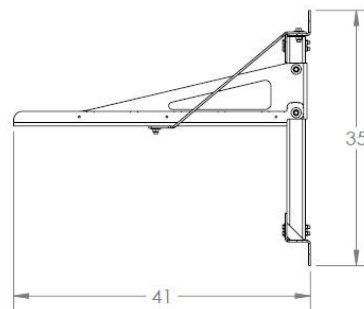
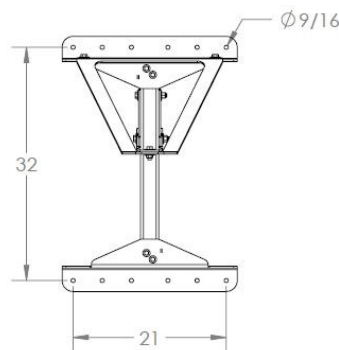
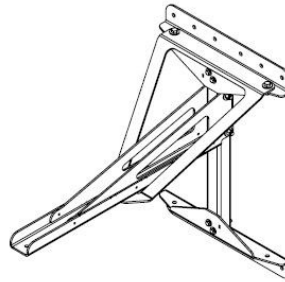
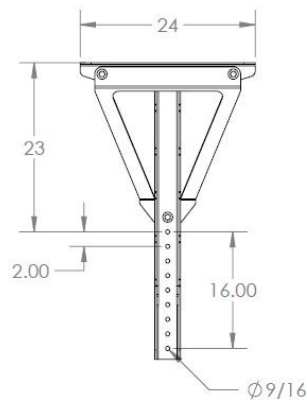
Ultimate Line Array Rigging

Architectural Specification:

The loudspeaker load shall be carried by the wall with the use of a welded steel bracket. The bracket shall be manufactured from structural steel, welded by a certified welder. The bracket shall have a working load limit of 500* lbs with a 10:1 design factor to yield strength.

The bracket shall allow for 16" of speaker adjustment towards or away from the wall. The bracket shall have a 21" wide by 32" high mounting pattern. The Wall Mount shall have an integral lateral brace that is designed for seismic loads.

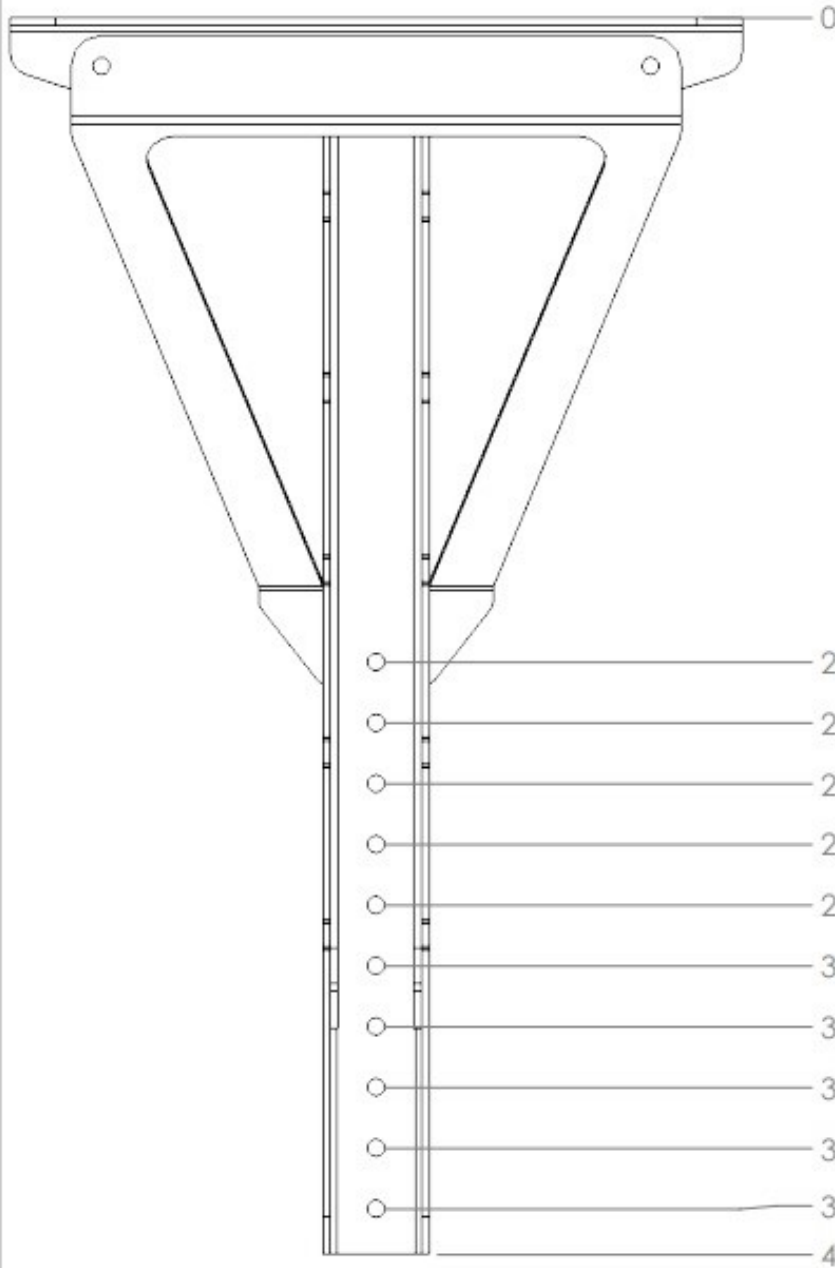
Overall Length:	41" (1041mm)
Overall Height:	35" (889mm)
Overall Width:	24" (610mm)
Weight:	90 lbs. (41 kg)
Primary Material:	Structural Steel
Finish:	Powder coat black/white
WLL:	500* lbs. (226.8 kg)



*See the last page of this datasheet for alternate configurations with higher values for the Working Load Limit.

ISOMETRIC VIEW

TOP VIEW



- 21.21 WLL: 924 LBS.
- 23.21 WLL: 844 LBS.
- 25.21 WLL: 777 LBS.
- 27.21 WLL: 720 LBS.
- 29.21 WLL: 671 LBS.
- 31.21 WLL: 628 LBS.
- 33.21 WLL: 590 LBS.
- 35.21 WLL: 556 LBS.
- 37.21 WLL: 526 LBS.
- 39.21 WLL: 500 LBS.
- 40.71

Polar Focus



Notes:

SEE SUBMITTAL DRAWING NOTES-3.PDF
 PROPRIETARY AND CONFIDENTIAL
 THE INFORMATION CONTAINED IN THIS DRAWING
 IS THE SOLE PROPERTY OF POLAR FOCUS. ANY
 REPRODUCTION IN PART OR AS A WHOLE WITHOUT THE
 WRITTEN PERMISSION OF POLAR FOCUS IS PROHIBITED.
 COPYRIGHT © 2017 Polar Focus, Inc.
 POLAR FOCUS is a Registered Trademark of Polar Focus, Inc.

NOTES:
 FABRICATION TOLERANCES ARE $\pm 1/16"$.
 LASER CUT $\pm .005$.

ALL EYEBOLTS SHOULD BE TURNED SO
 THAT THE LOAD IS IN THE PLANE OF THE
 EYE.
 OUR PRODUCTS ARE DESIGNED AS A
 COMPLETE SET.

POLAR FOCUS WILL NOT BE RESPONSIBLE
 IF ANY CHANGES AND/OR ALTERATIONS
 ARE MADE WITHOUT WRITTEN CONSENT
 AND ENGINEERING APPROVAL.

MATERIAL:

FINISH:

	NAME	DATE
DRAWN	JM	07/20/2020
CHECKED		
ENG APPR.		
MFG APPR.		

Polar Focus, Inc.
 20 Industrial Dr. E.,
 Unit 2
 South Deerfield, MA.
 01373
 Ph. 413-586-4444
www.polarfocus.com

Engineering Submittal

WMV-36-500 Working Load Limit Chart

SIZE	DWG. NO.	REV.
A	_WMV-36-500-WLL Chart	00
SCALE:	WEIGHT:	SHEET 1 OF 1