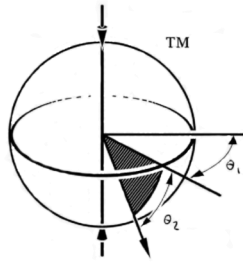


Polar[®] Focus



Ultimate Line Array Rigging

WMV-2226-250

Zbeam[®] Wall Mount

Polar Focus WMV-2226-250 Zbeam[®] Wall Mount is intended as a companion to the Zbeam, allowing for almost any Zbeam compatible speaker, yoke mounted speaker or small line array to be wall mounted.

This product is specifically designed to match the standard pattern in 16" x 8" x 8" masonry block walls for easy through bolting. This unit can also be mounted to solid concrete walls using expansion bolts, or mounted to structural wood stud or steel stud walls by through bolting with simple plywood wall reinforcement. Wall mounts may not be installed safely on nonstructural interior partition walls.

To determine if a wall is structural; contact a local structural engineer, building inspector, or other qualified individual. The arm can be installed in 3 positions (Center, +6", or -6"), enabling them to fit into tight plenum spaces.

A Wall Mount to accommodate speakers requiring a longer arm is also available on custom order.

The Wall Mount Kit does not include threaded rod or other fasteners to attach to a wall.

The axle kits to mount a standard Polar Focus Zbeam half such as a ZBH-15-300 or a standard sheet metal yoke are included.

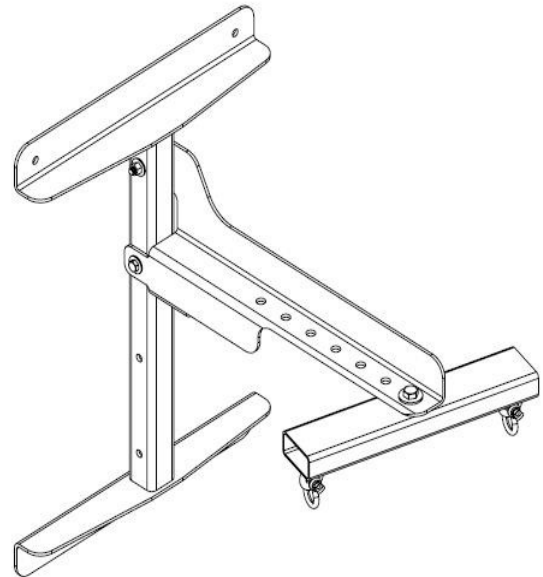


Figure 1. The Zbeam Wall Mount. ZBeam Half sold separately.

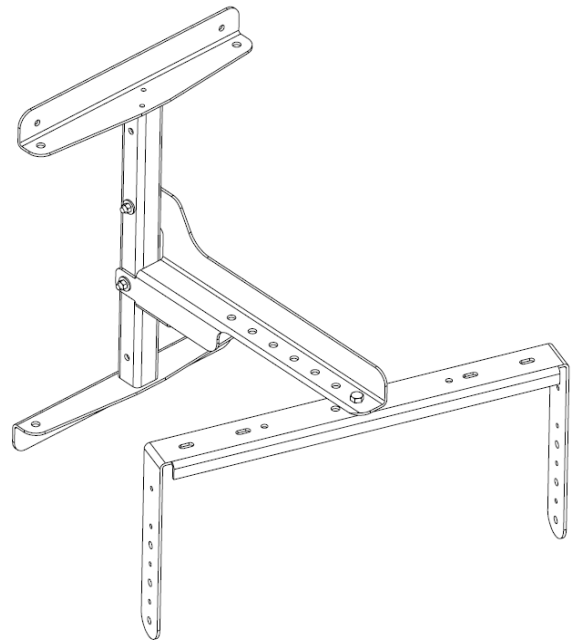
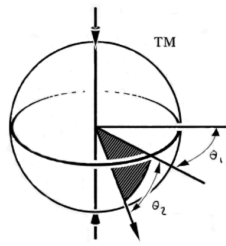


Figure 2. The Zbeam Wall Mount. and Yoke sold separately.

Polar[®] Focus

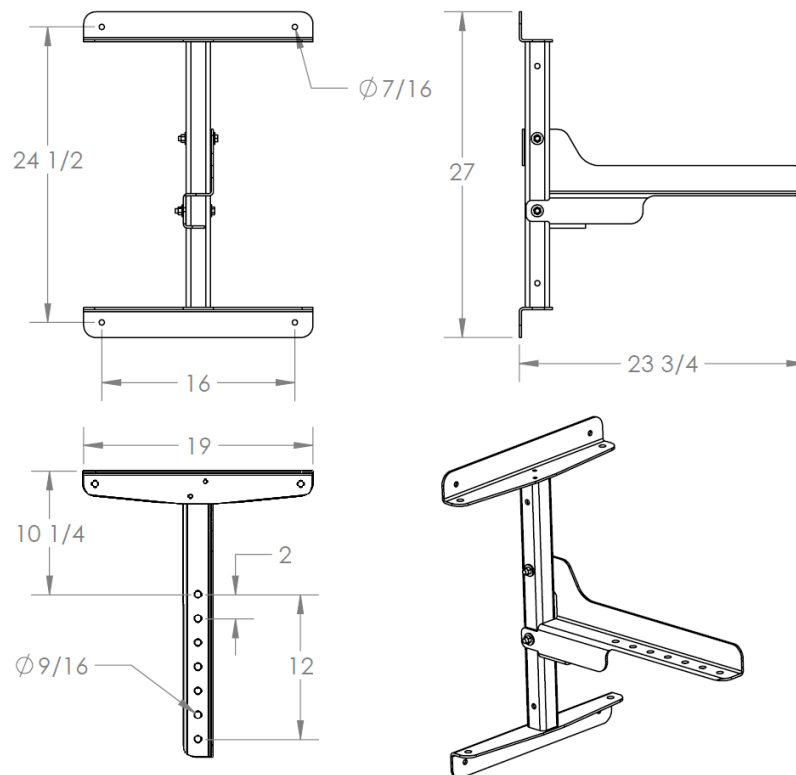


Ultimate Line Array Rigging

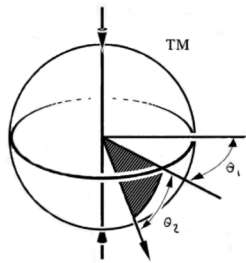
Architectural Specification:

The loudspeaker load shall be carried by the wall with the use of a welded steel bracket. The bracket shall be manufactured from structural steel, welded by an AWS certified welder. The bracket shall have a working load limit of 250 lbs with a 10:1 design factor to yield strength. The bracket shall allow for 12" of speaker adjustment towards or away from the wall. The bracket shall have a 16" wide by 24½" high mounting pattern to match the standard layout of 16"x 8"x 8" masonry block walls. The bracket shall be designed to allow for upright or transverse speaker use. The wall mount shall be the WMV-2226-250 Zbeam Wall Mount.

Overall Length: 23.75" (603mm)
 Overall Height: 27" (686mm)
 Overall Width: 19" (483mm)
 Weight: 25 lbs (11.34 kg)
 Shipping Weight: 30 lbs (13.61 kg)
 Primary Material: Structural Steel
 Finish: Black Powder Coat
 (WMV-2226-250-B),
 White Powder Coat
 (WMV-2226-250-W), or
 Galvanized
 (WMV-2226-250-G)
 WLL: 250 lbs (113.4 kg)



Polar[®] Focus



Ultimate Line Array Rigging

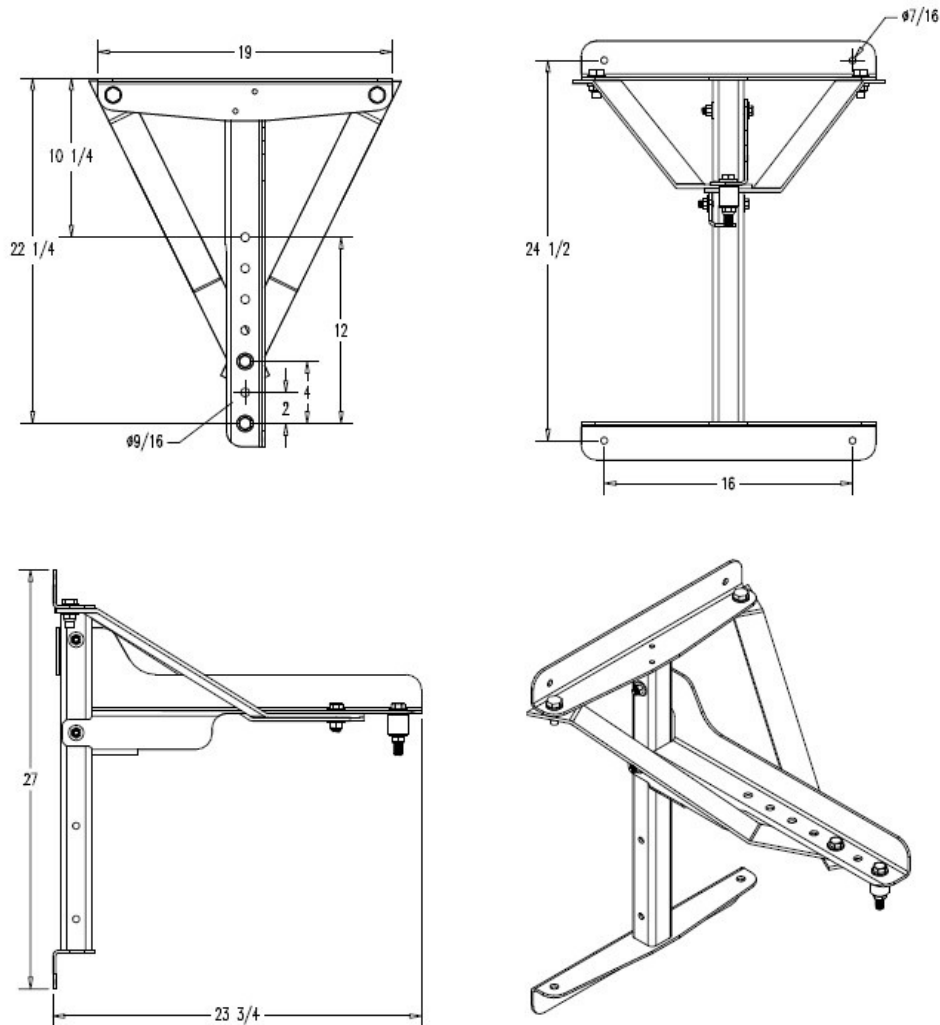


Figure 4. Lateral Brace Kits for seismic and wind exposed environments are available. The lateral brace kit is included with the WMV-2226-250-G galvanized model.

Black and white powder coated lateral brace kits for use in interior spaces in seismic environments are sold as WMV-2226-BRACE-B (black), WMV-2226-BRACE-W (white), or custom colors.